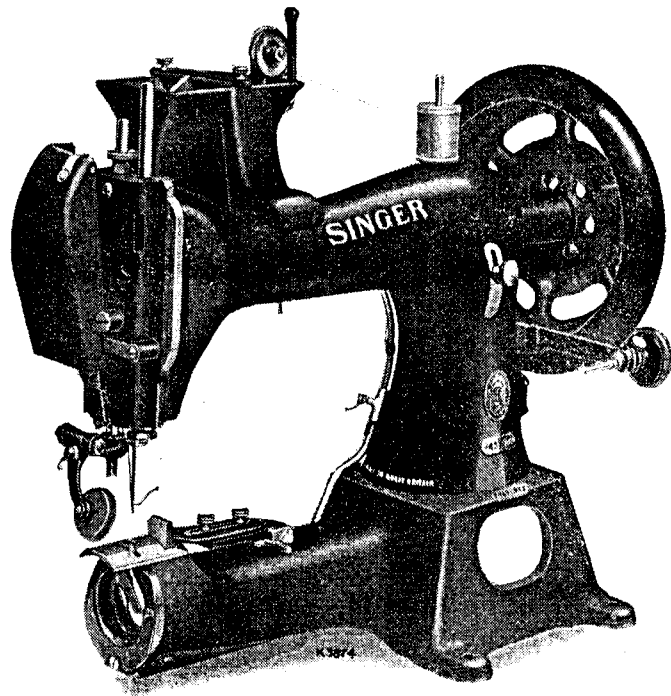


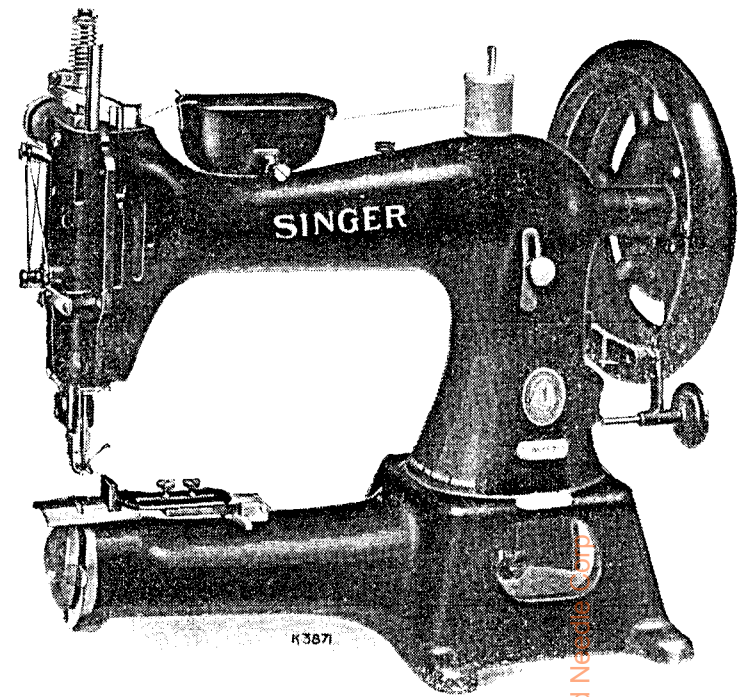
SINGER
45K66,K67,K70

ILLUSTRATED
LIST OF PARTS
FOR
Nos. 45K66, 45K67
and 45K70 Machines

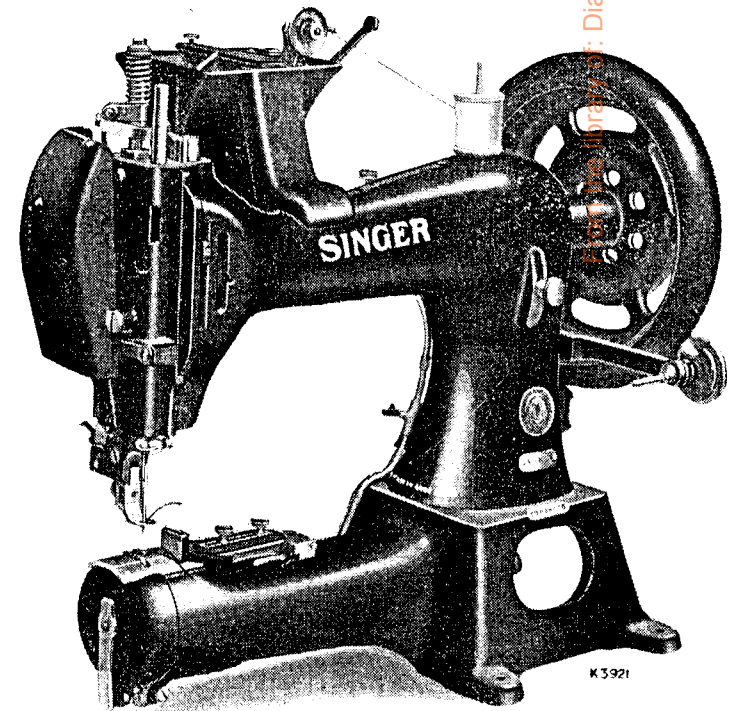


No. 45K66 Machine

** A TRADE MARK OF
THE SINGER MANUFACTURING COMPANY

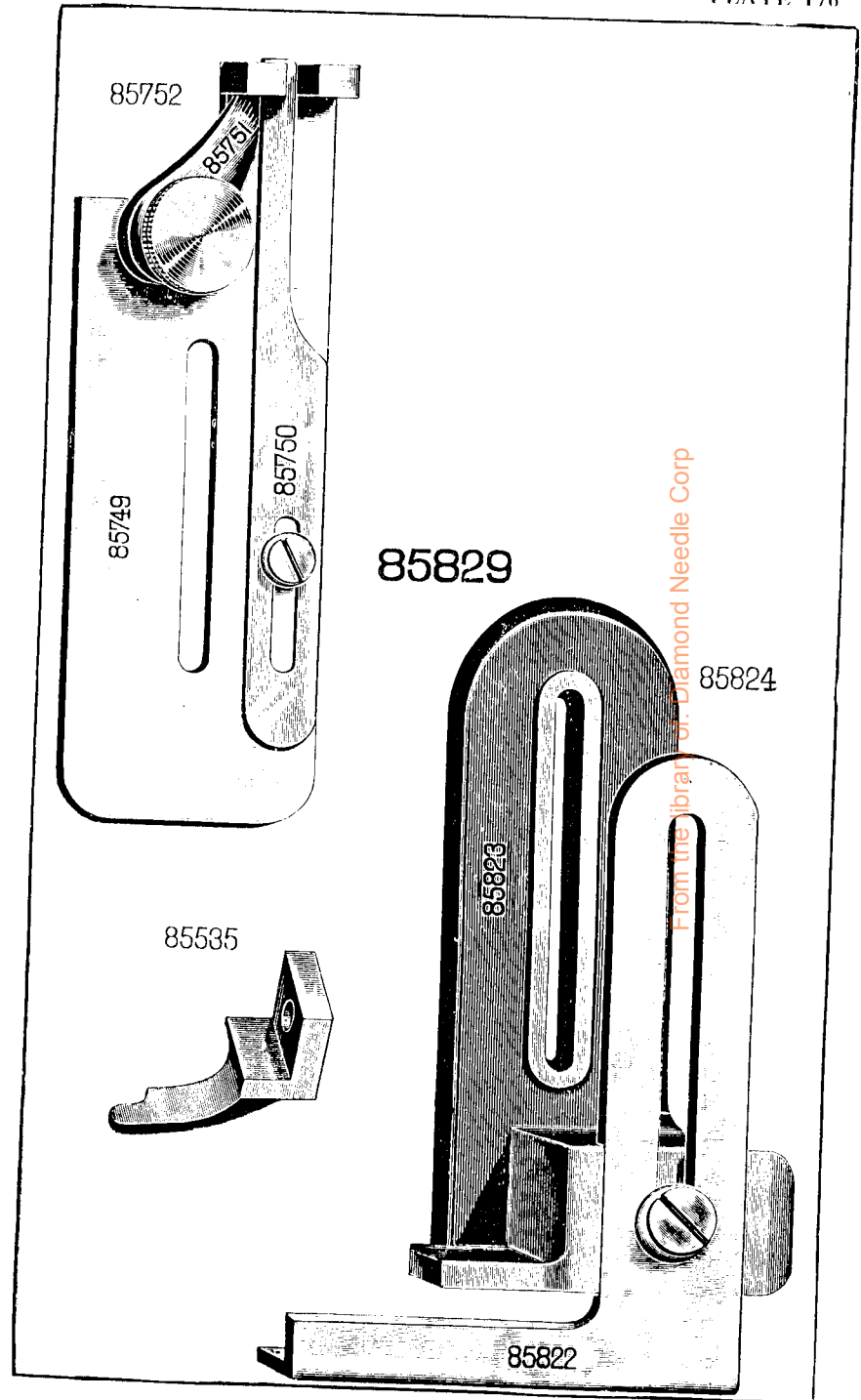
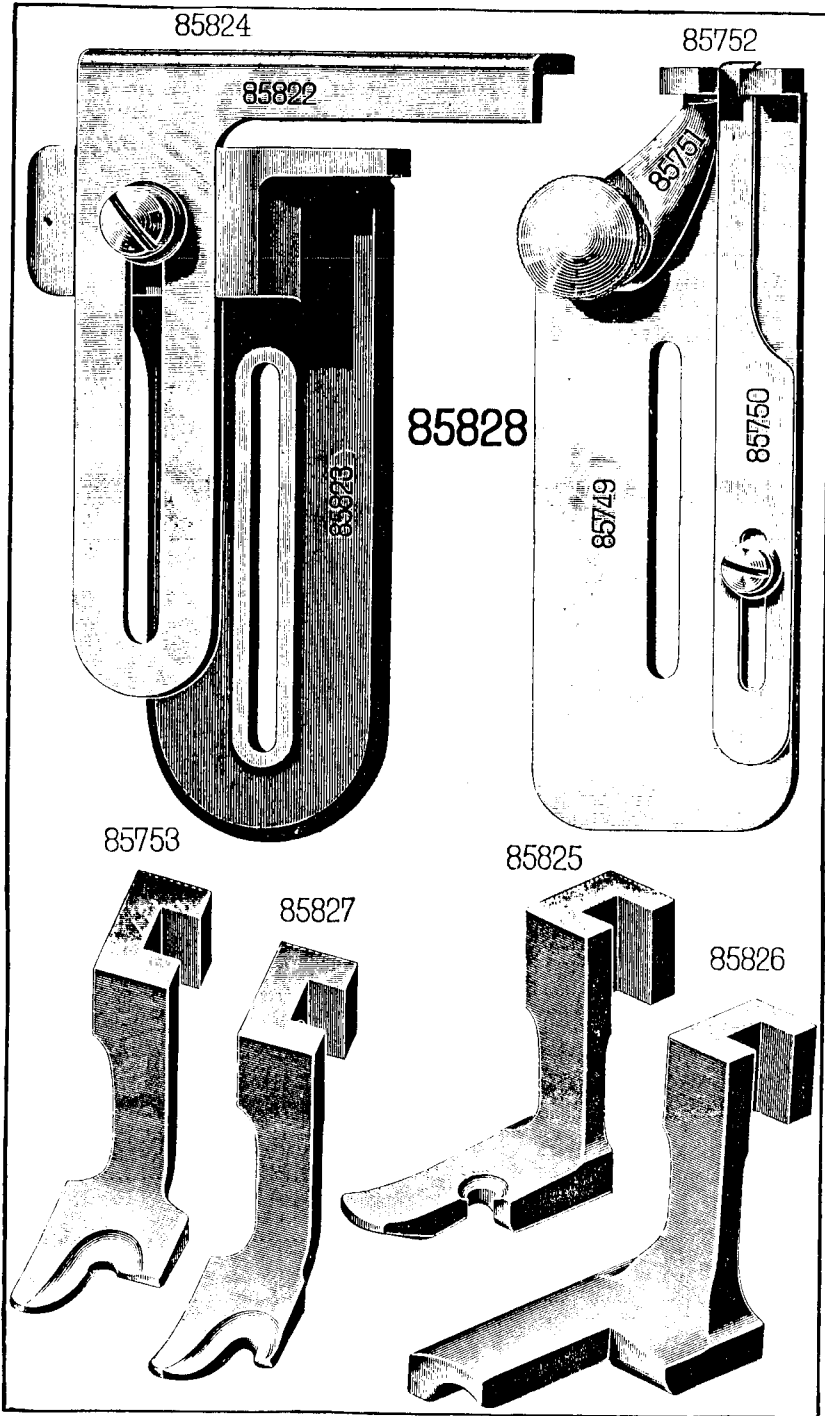


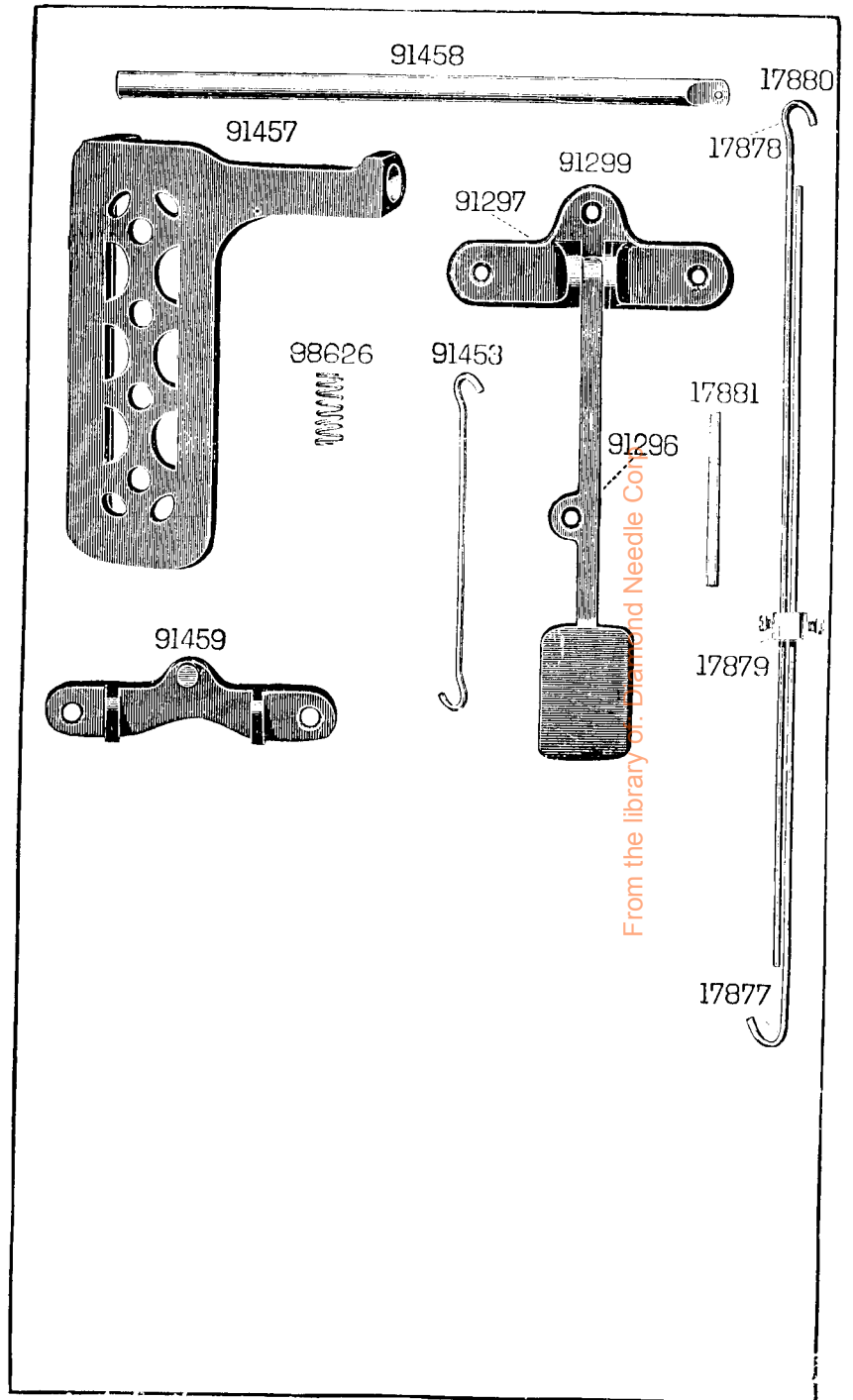
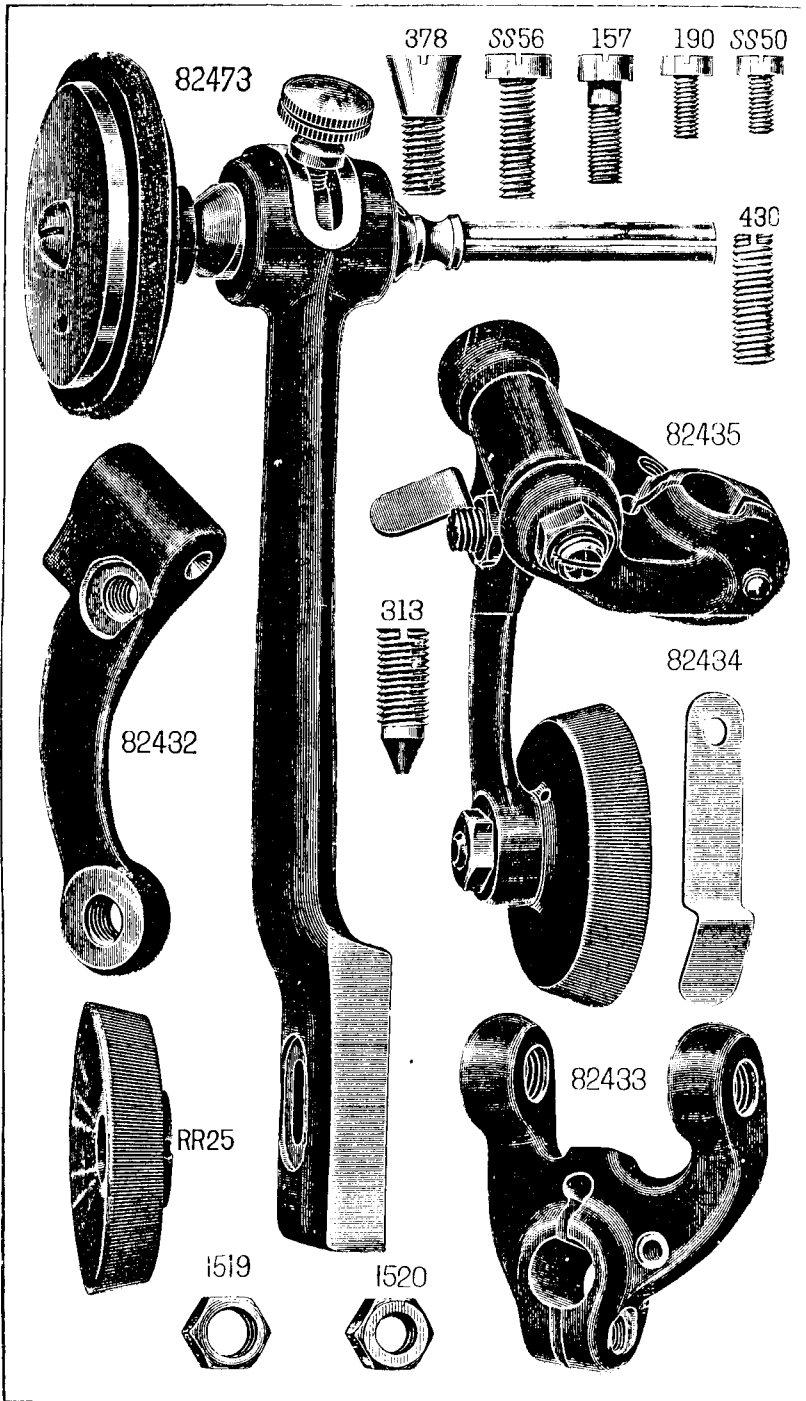
No. 45K67 Machine

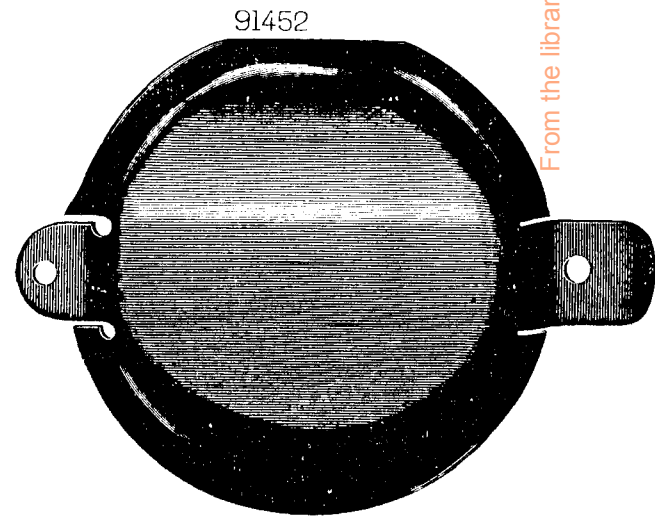
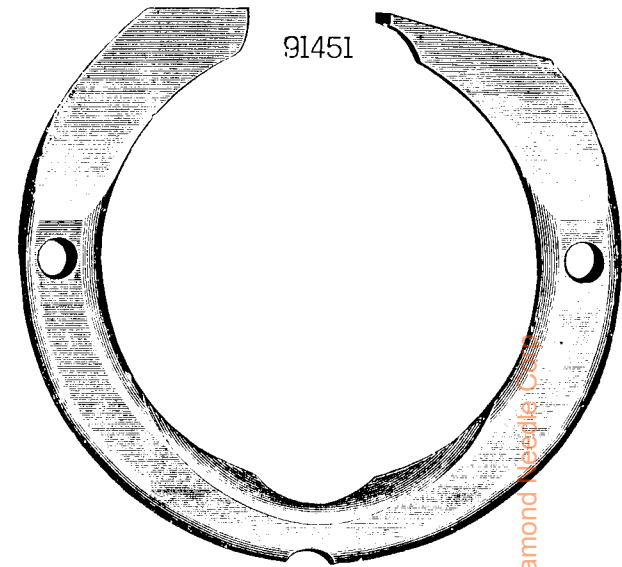
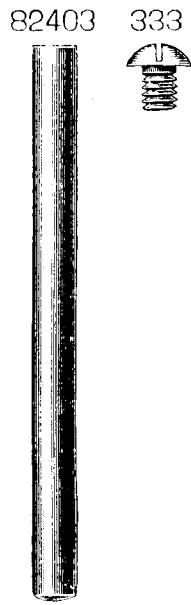
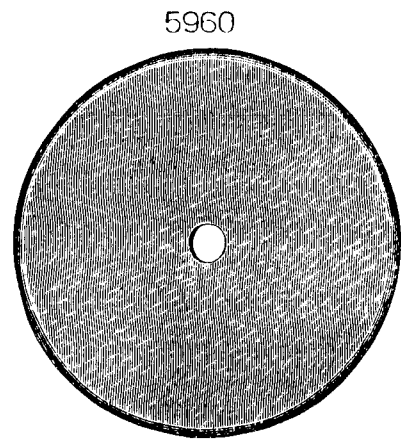
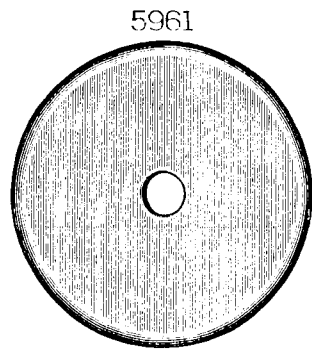
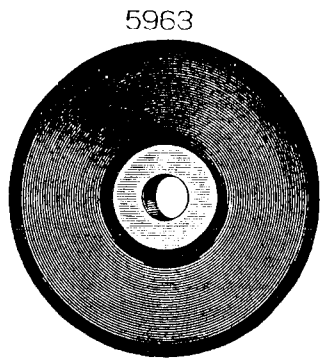


No. 45K70 Machine

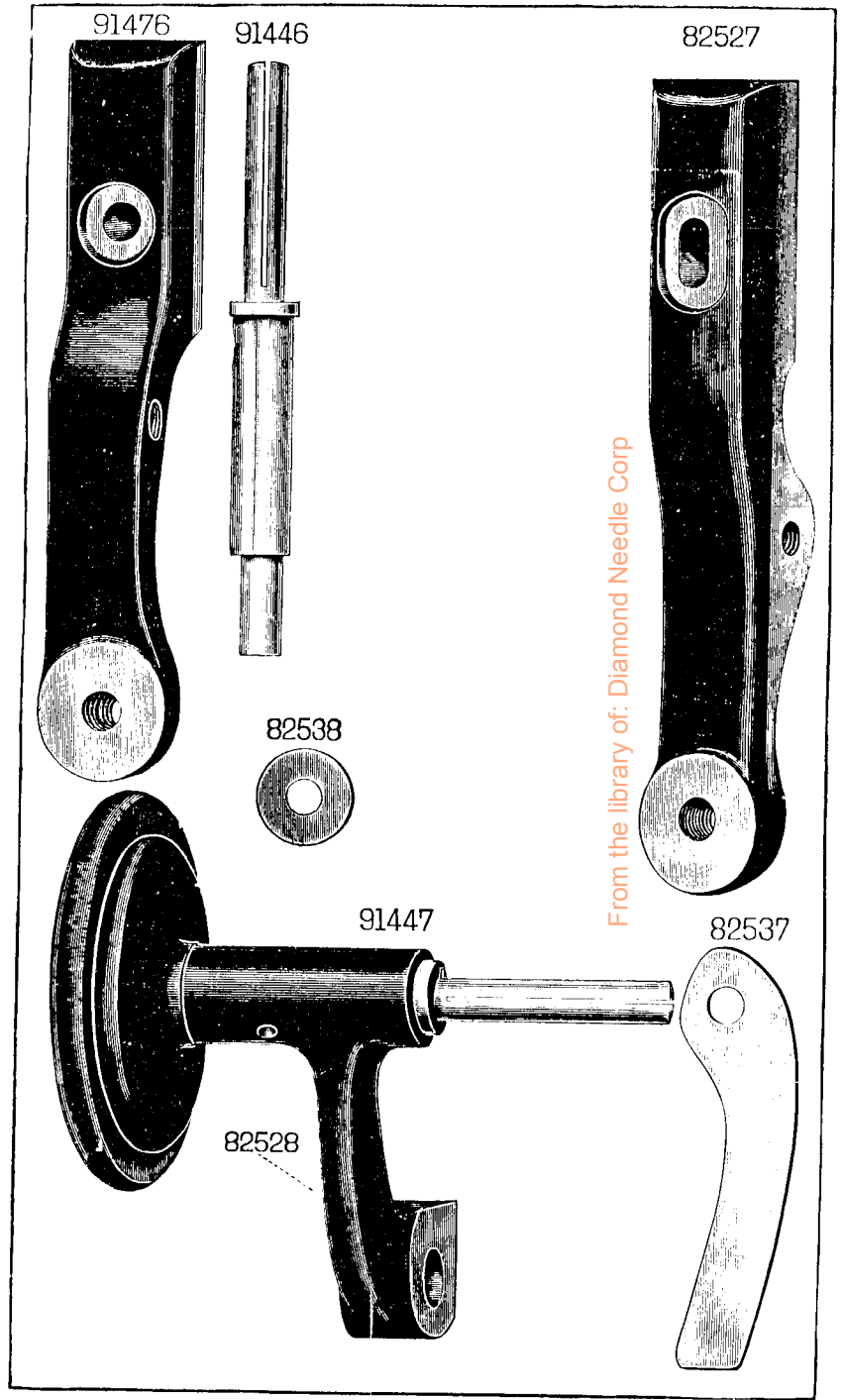
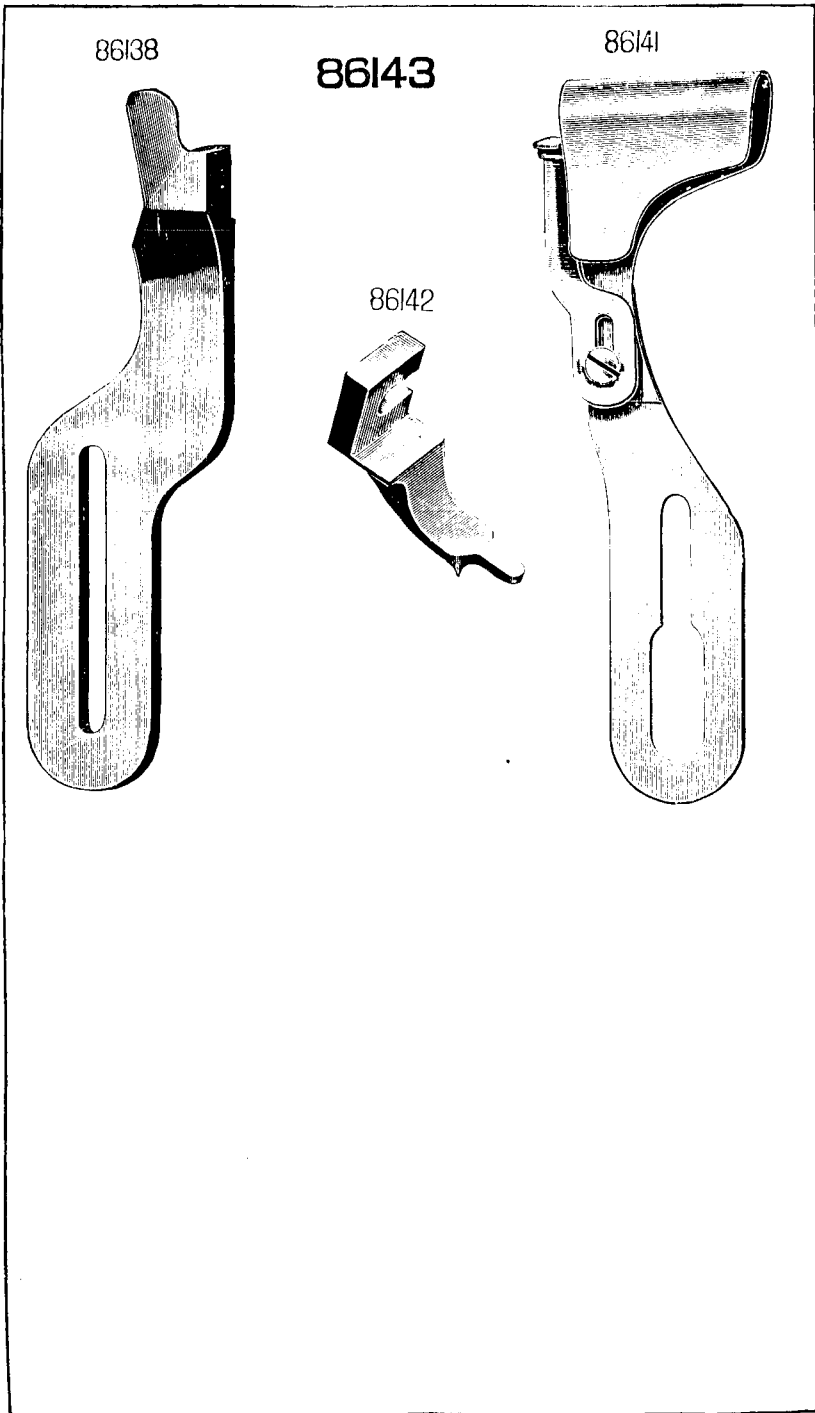
Digitized by eGangotri: Diamond News



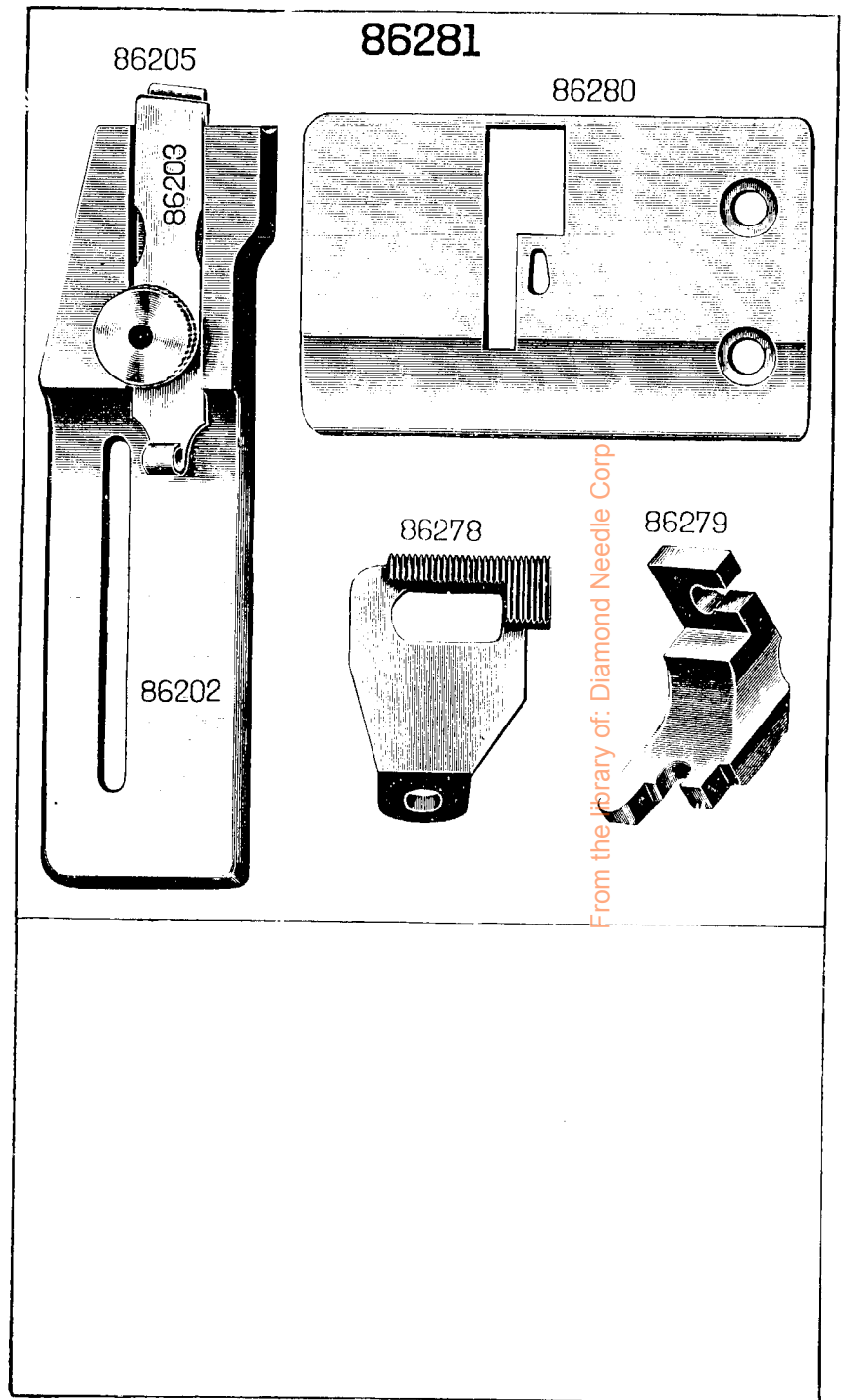
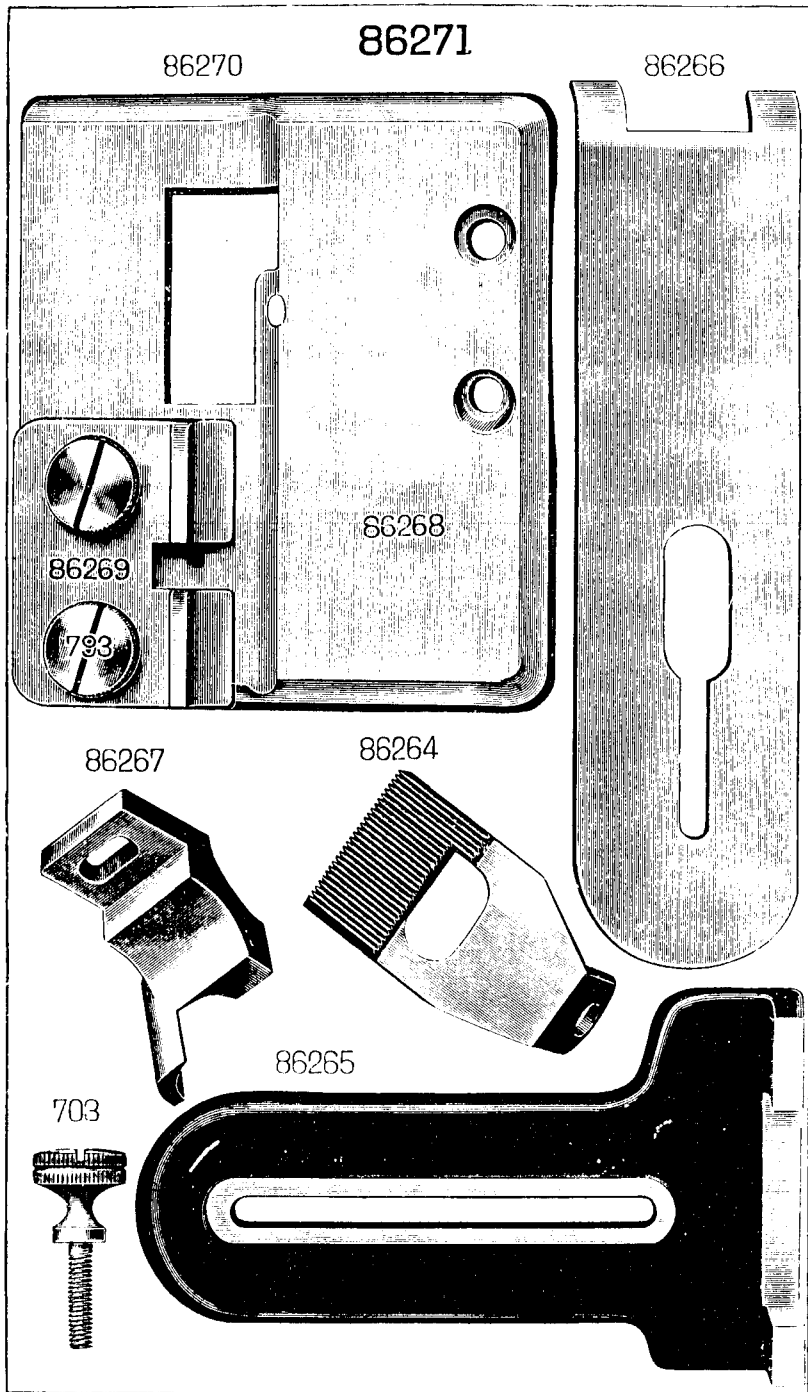


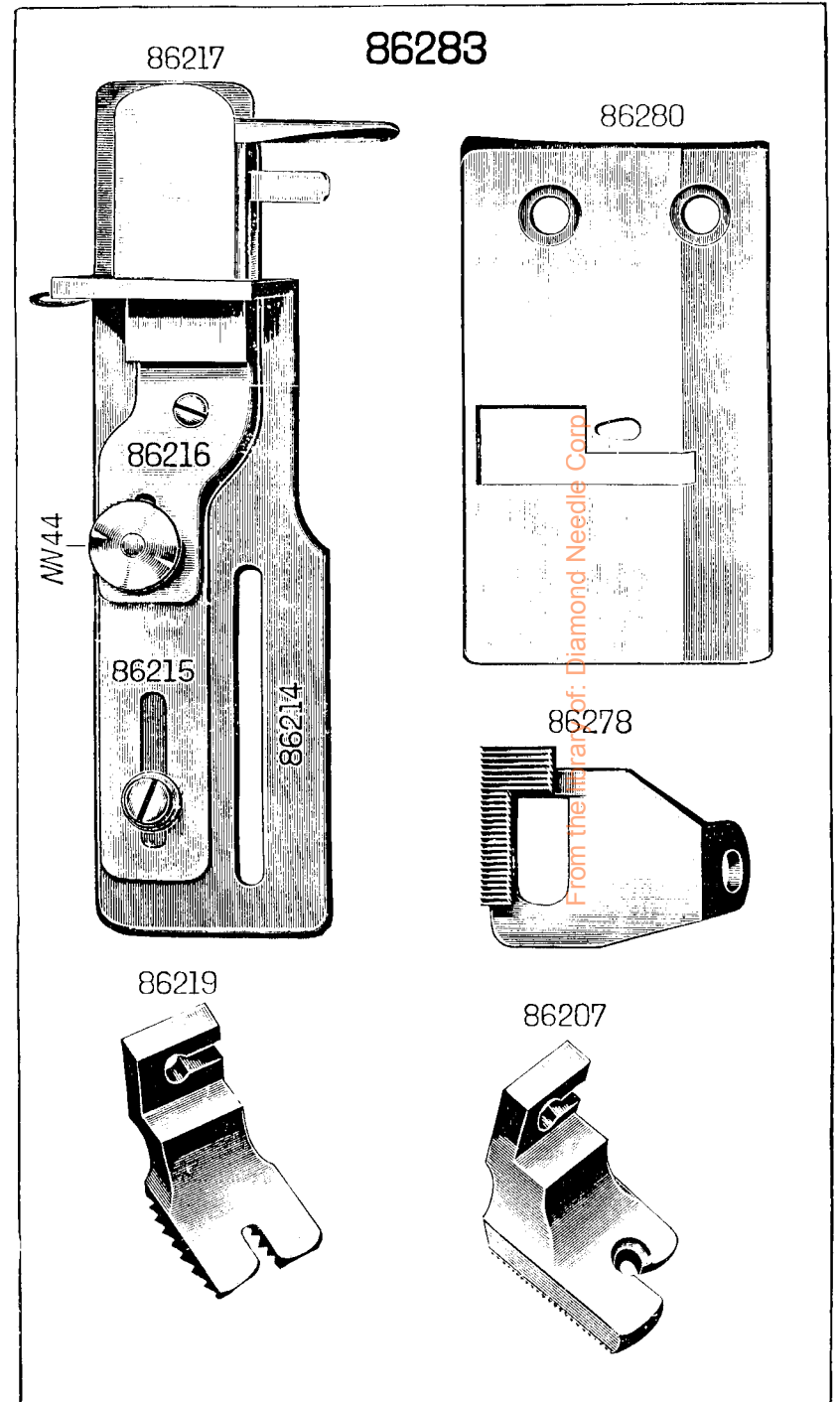
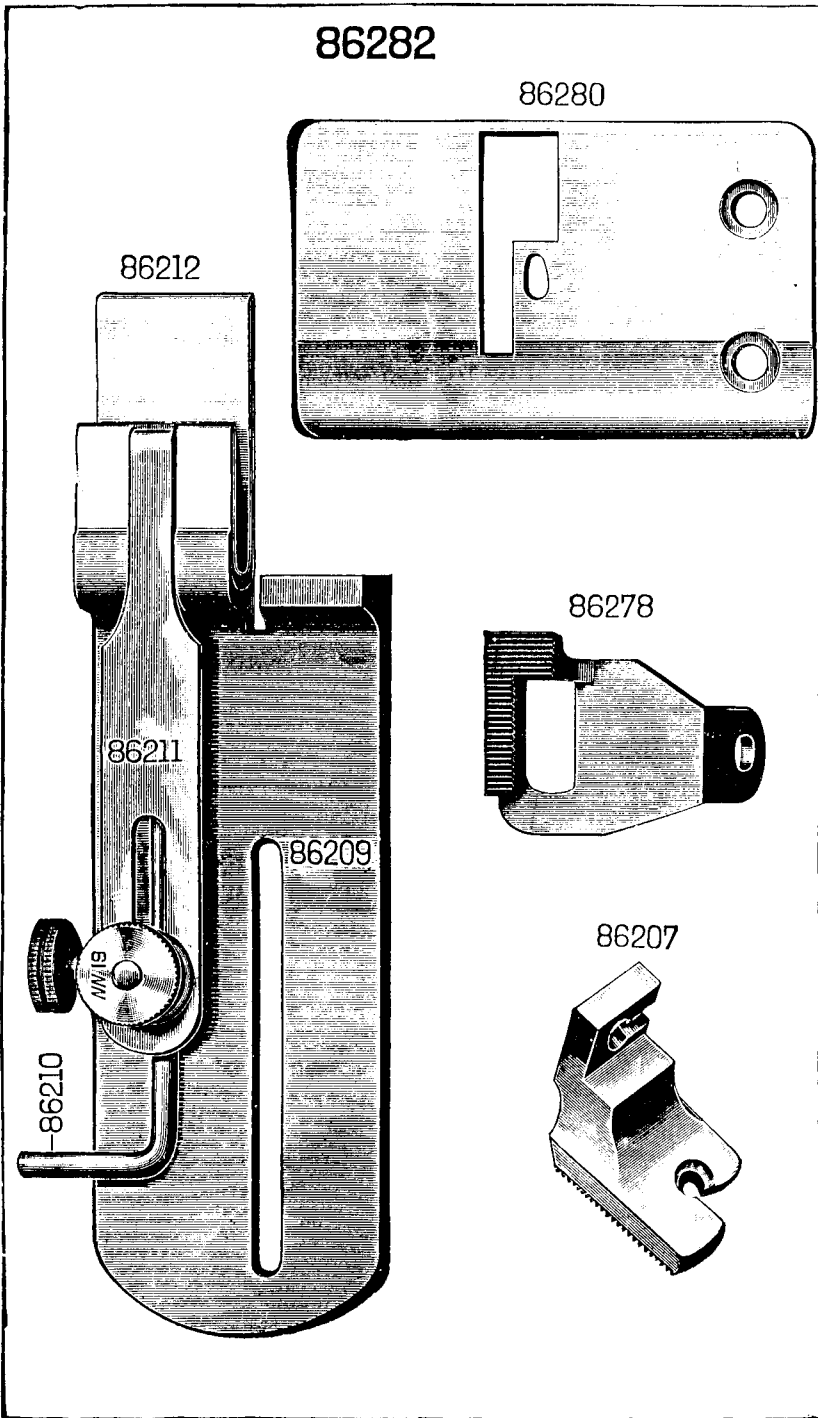


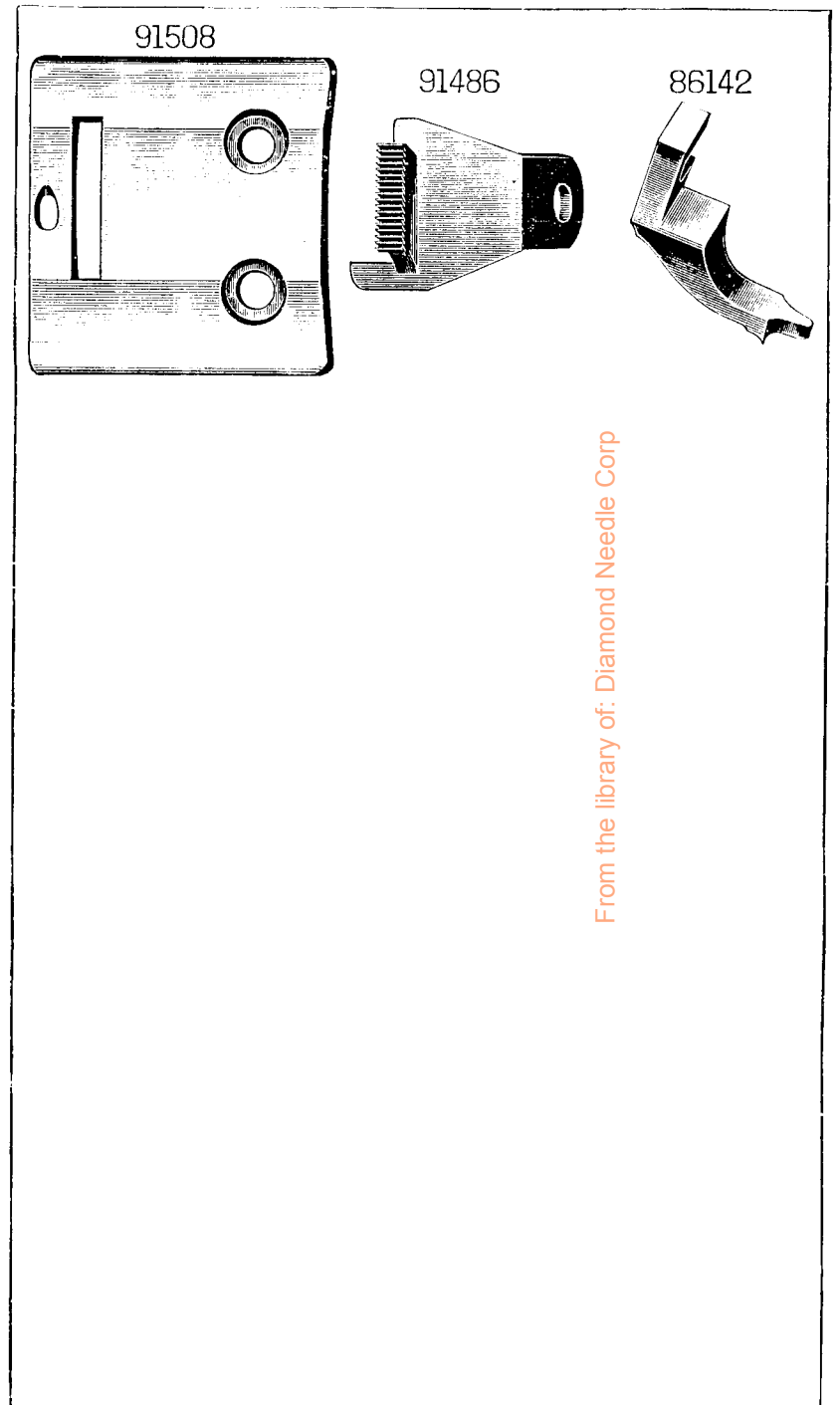
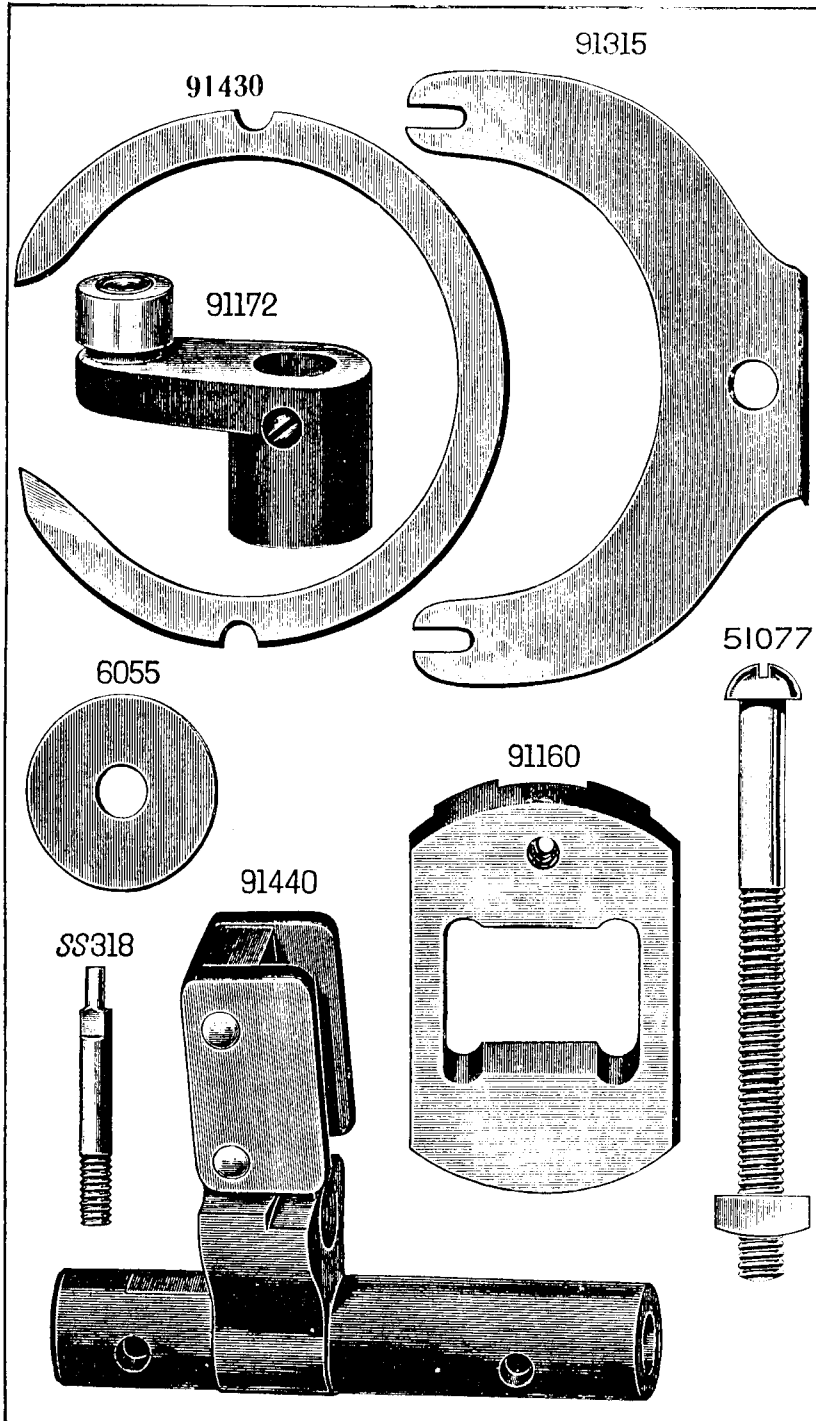
From the library of: Diamond Needle Co.



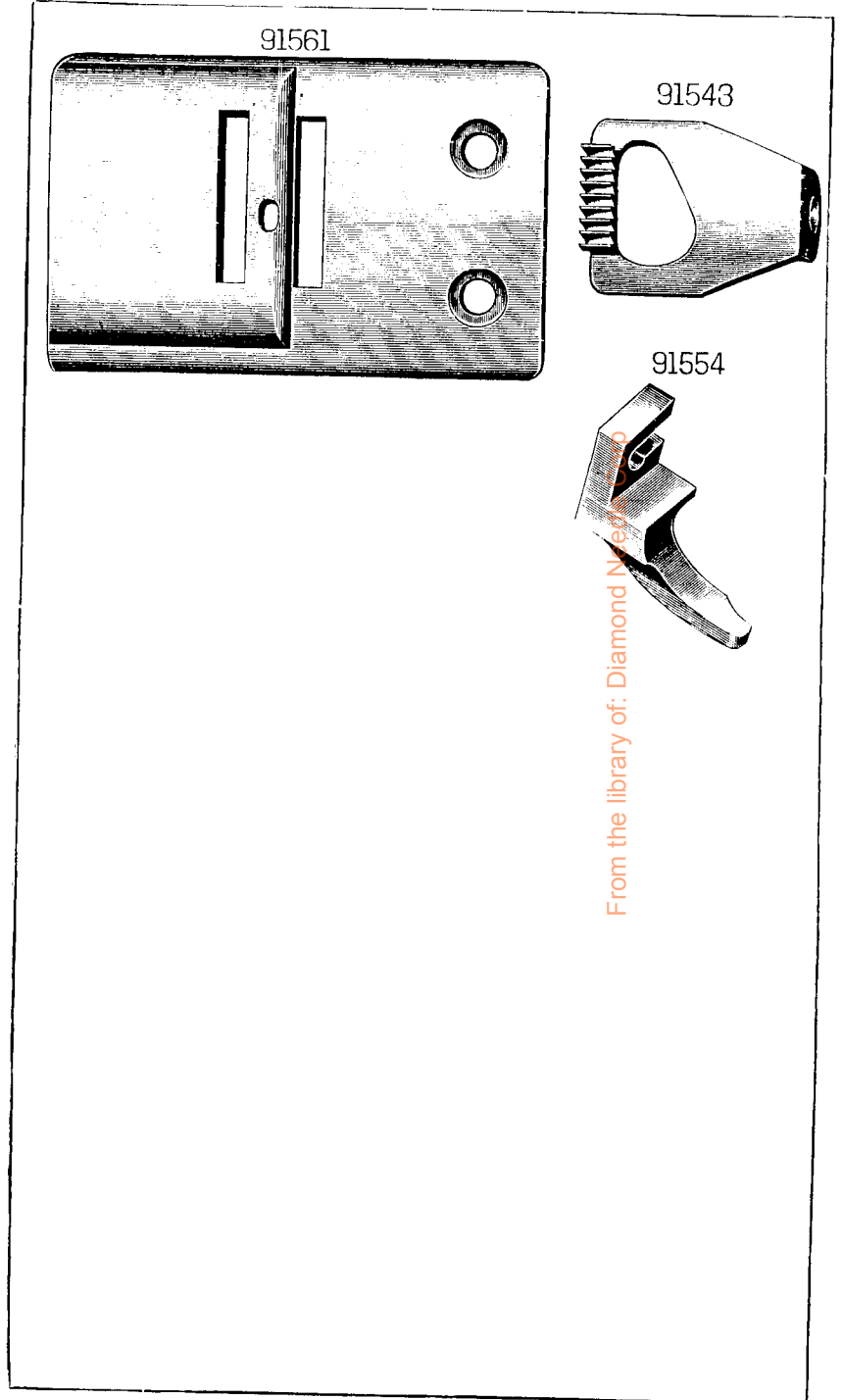
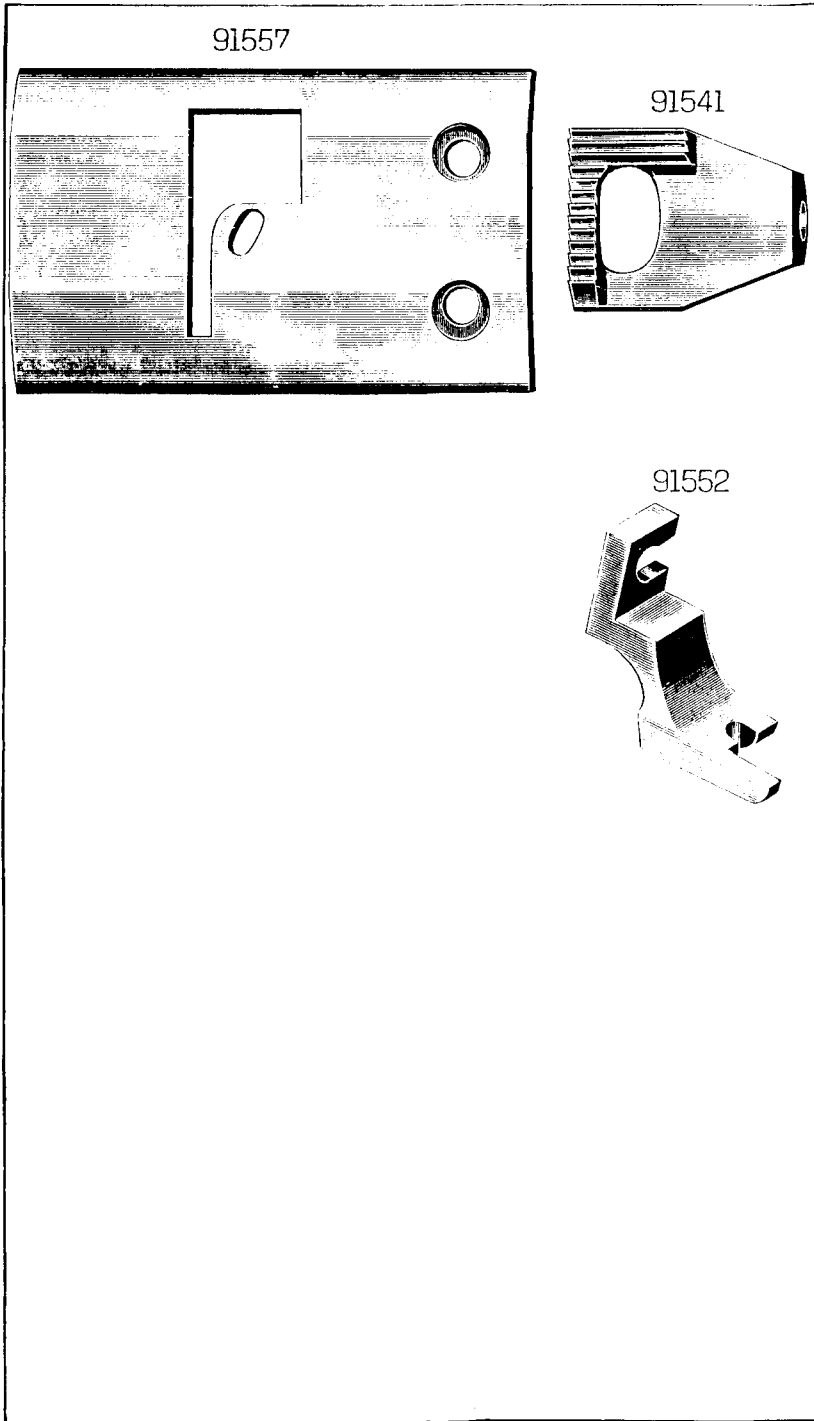
From the library of: Diamond Needle Corp

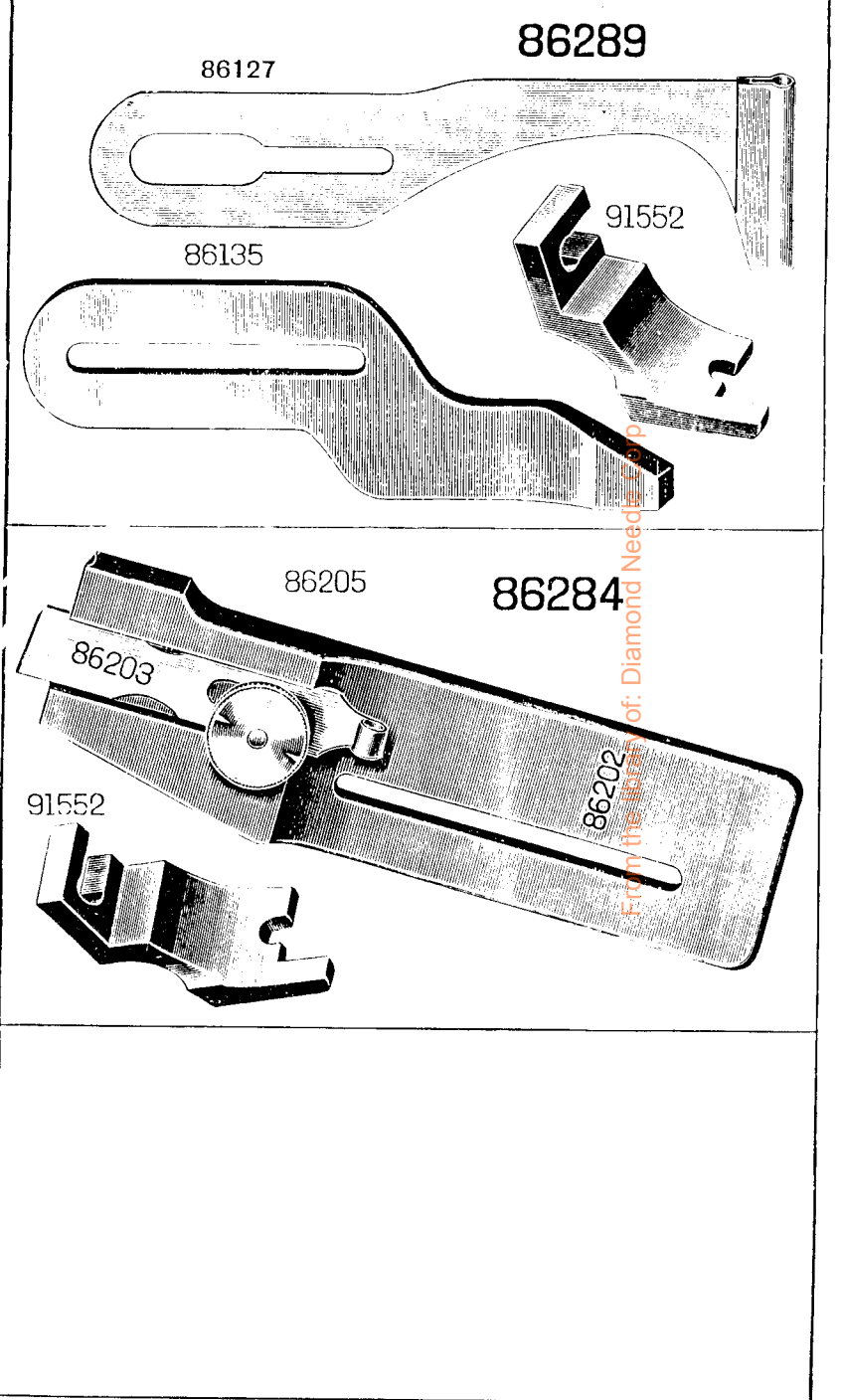
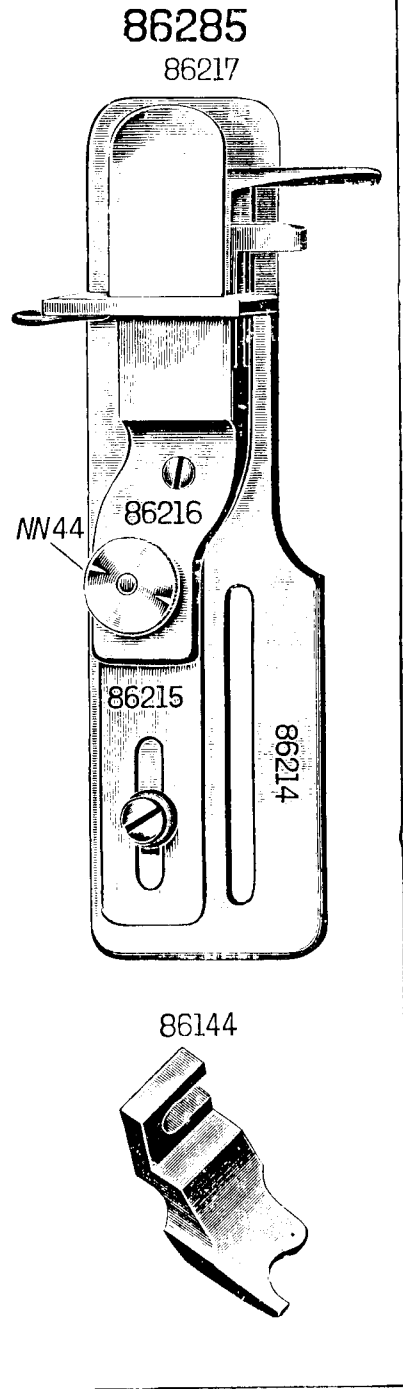
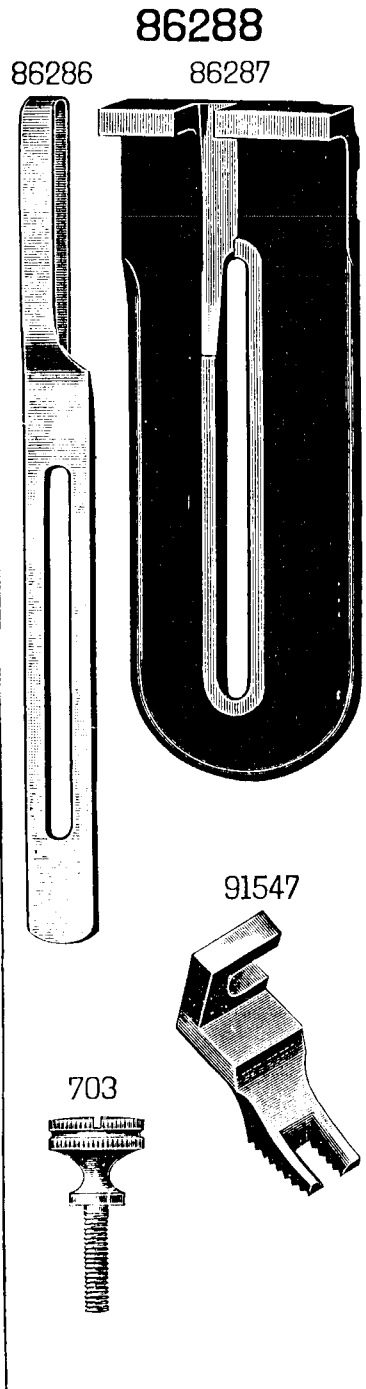


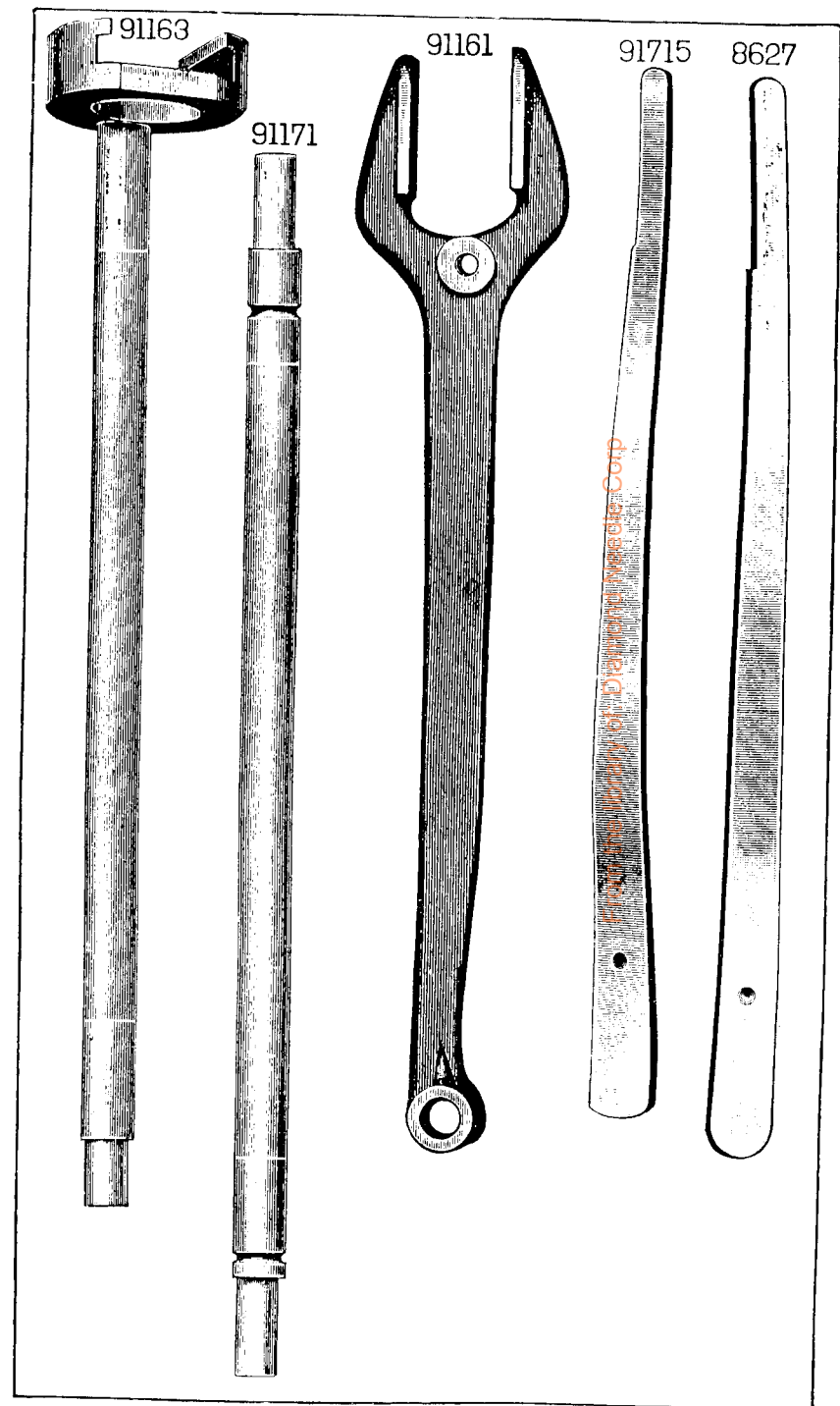
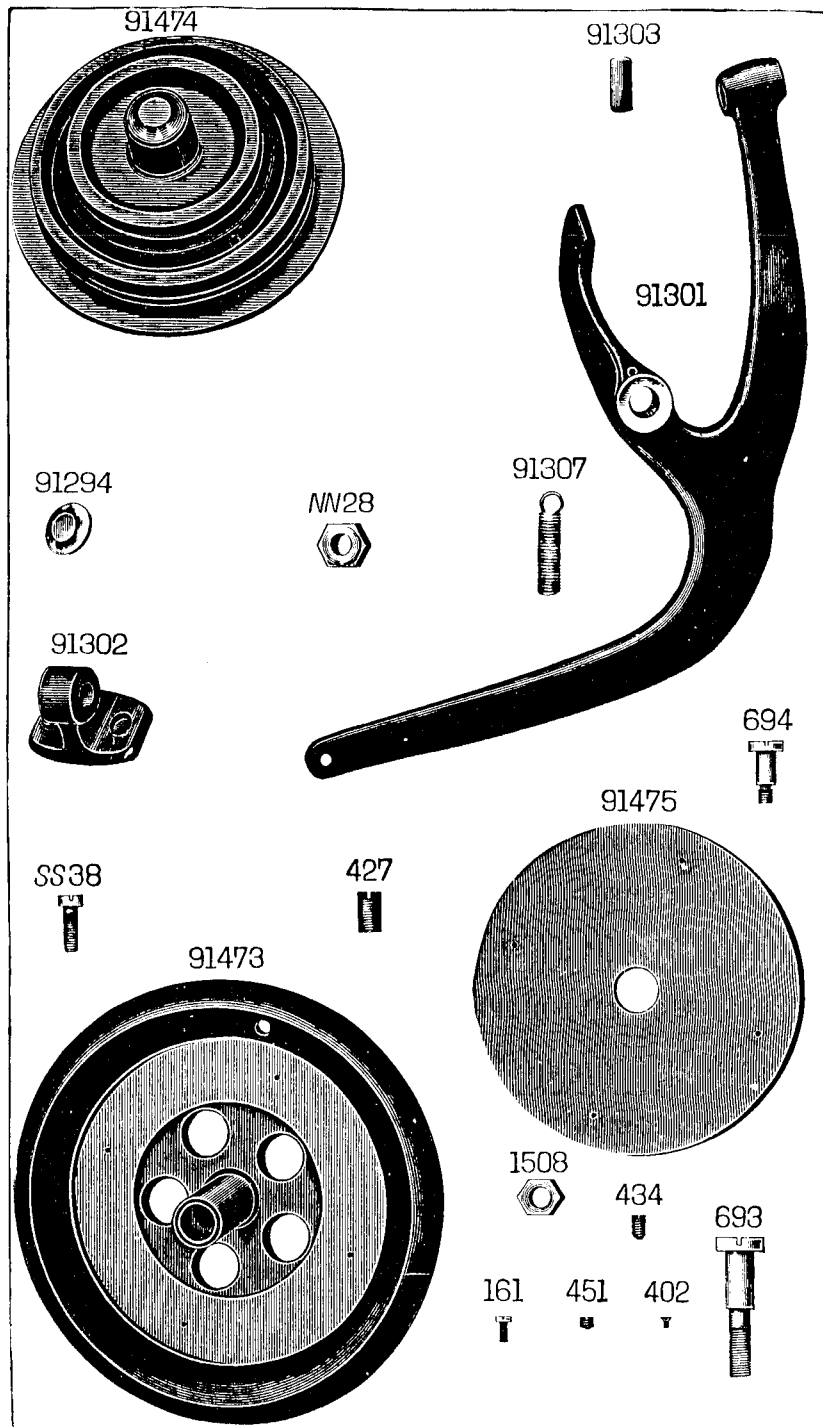


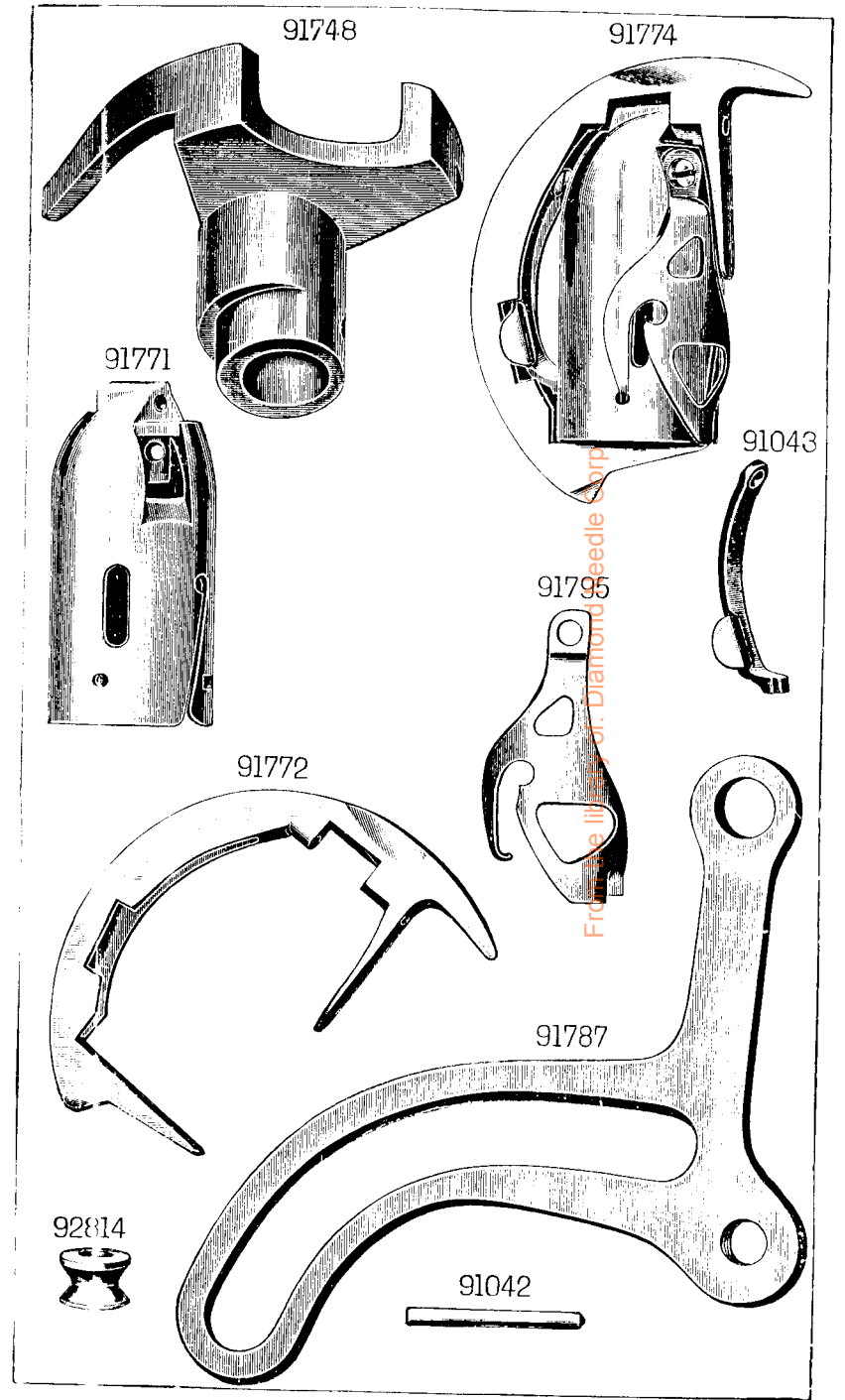
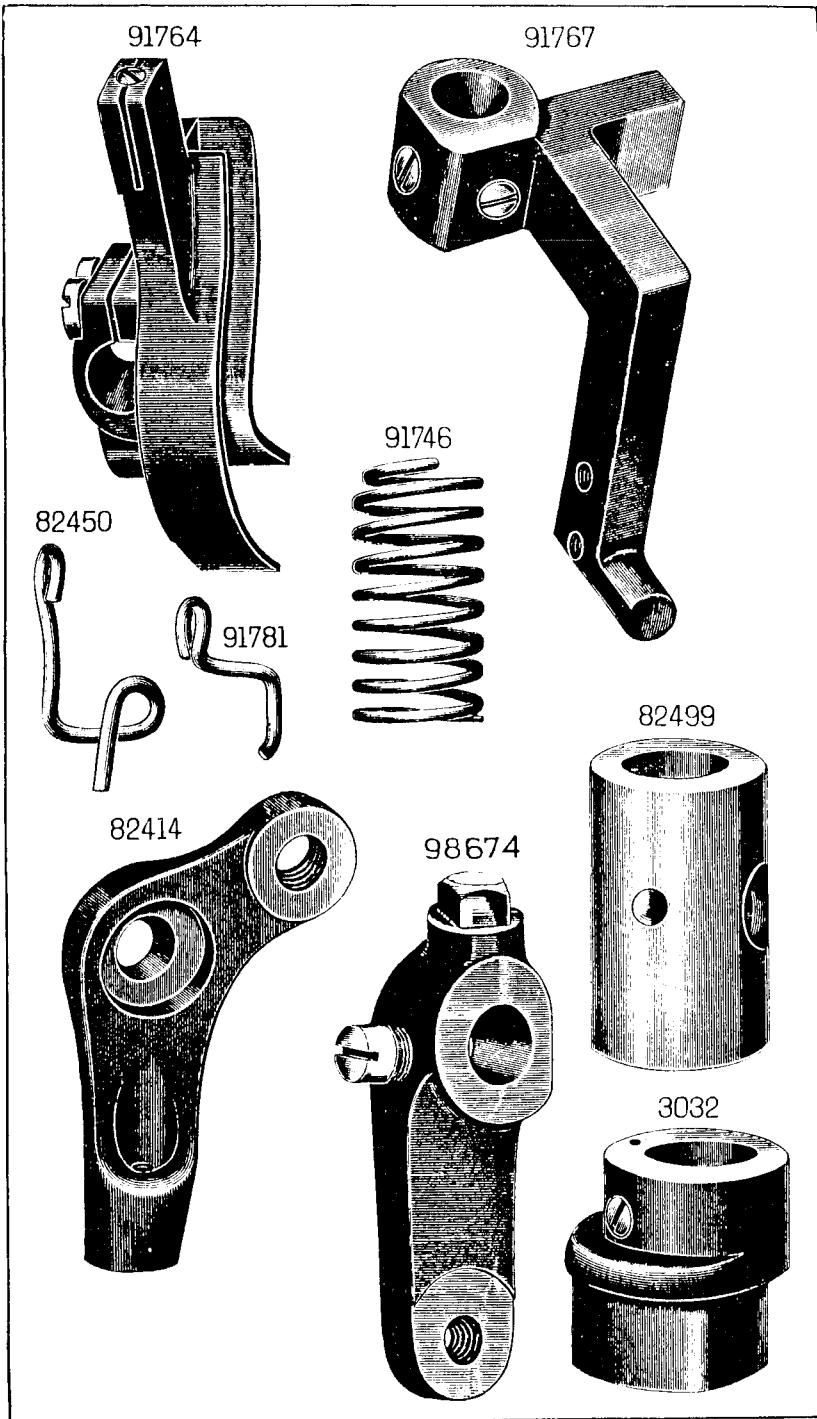


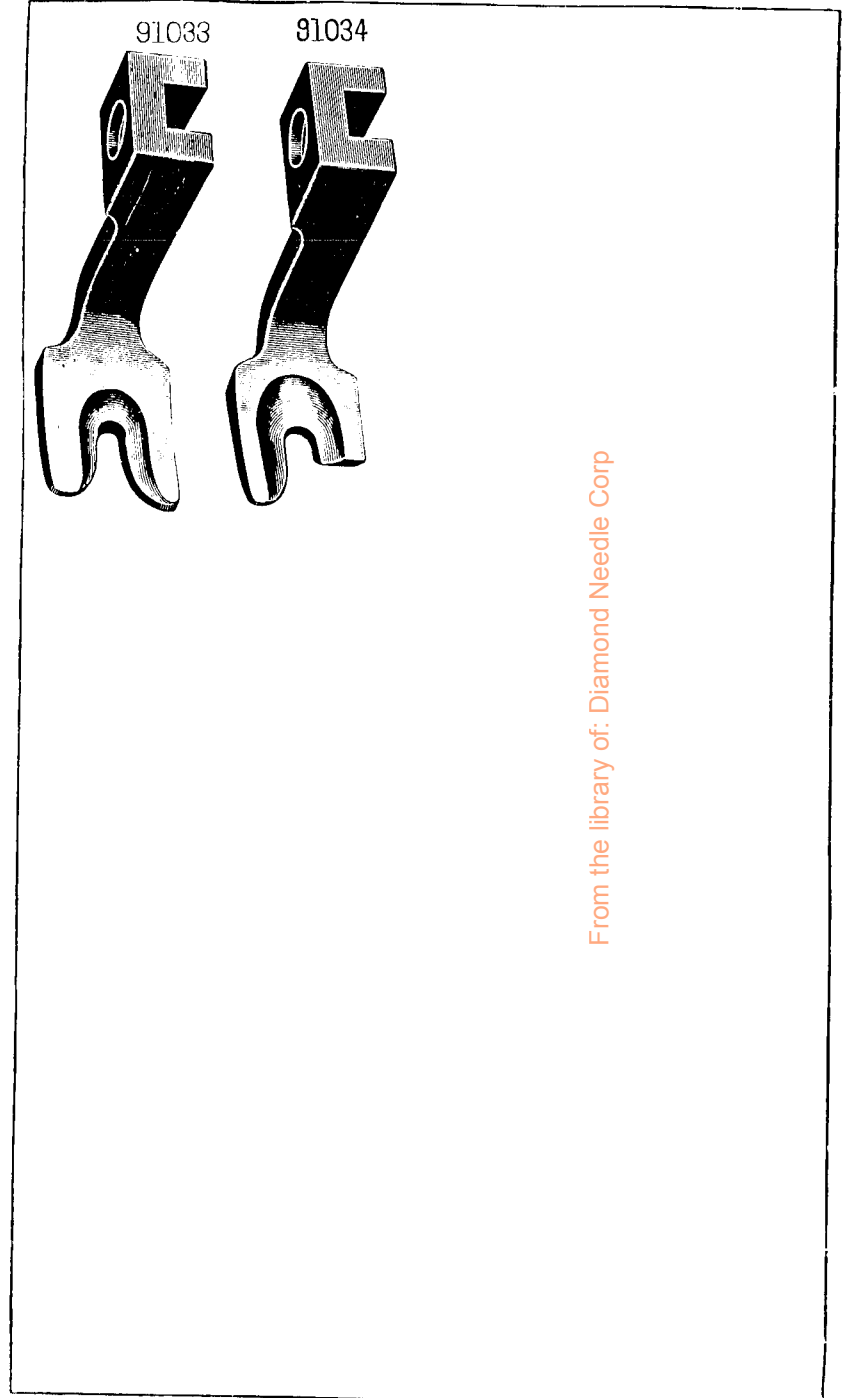
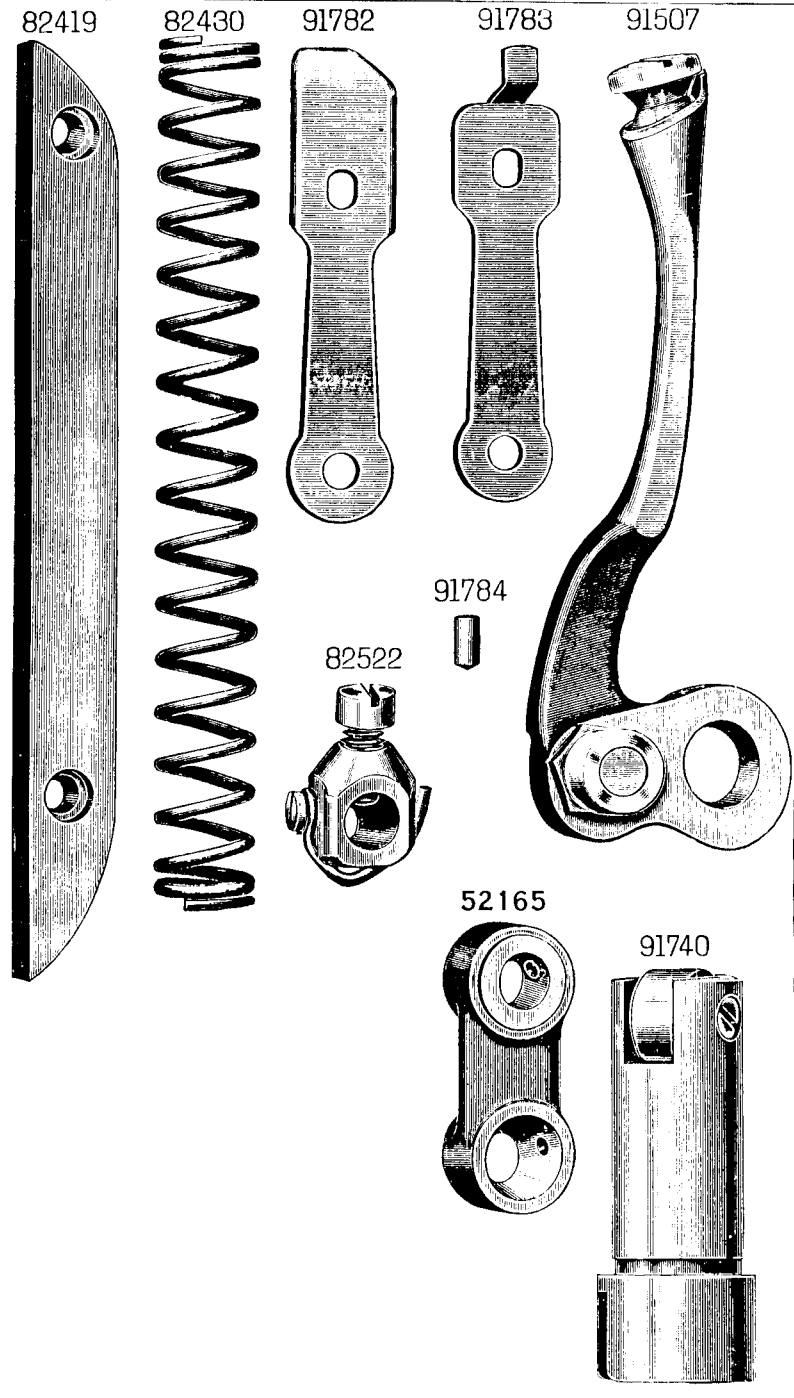
From the library of: Diamond Needle Corp



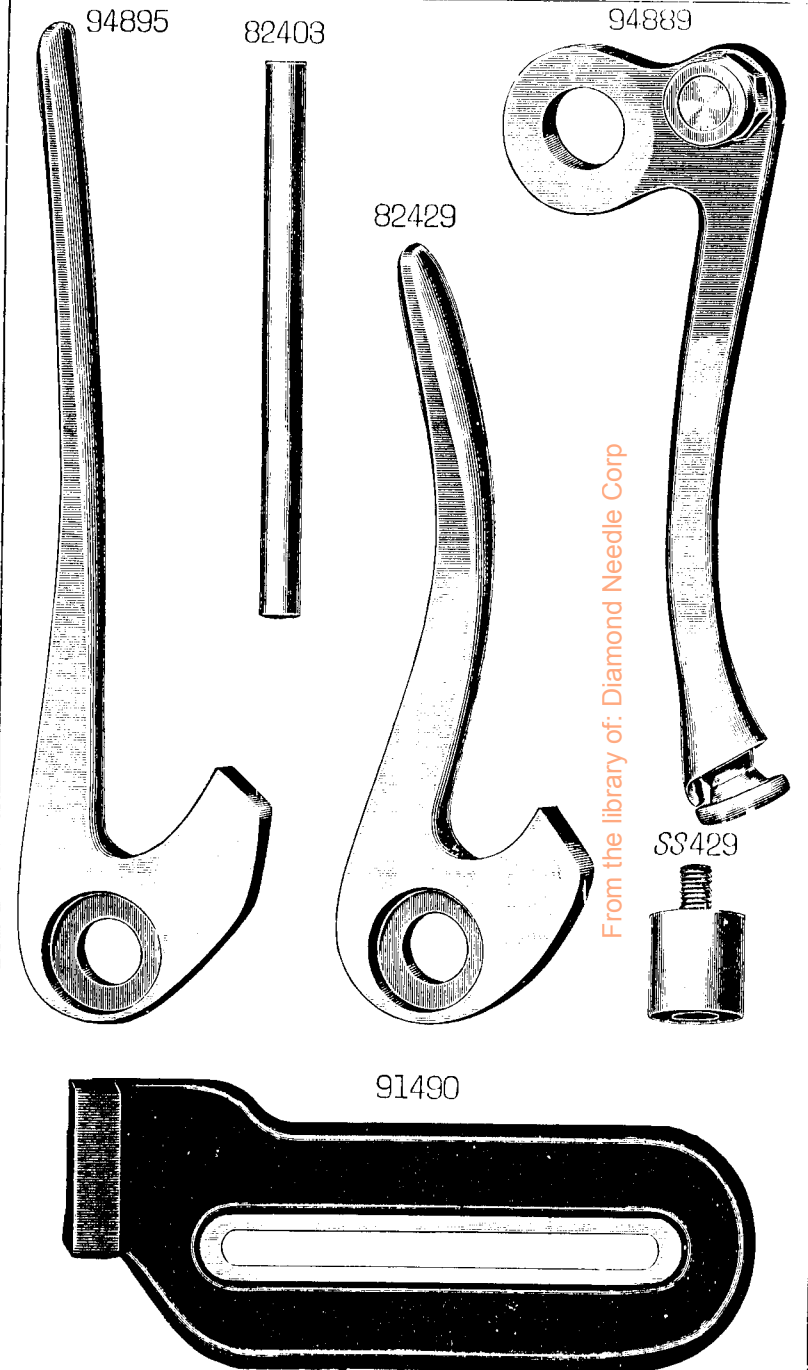
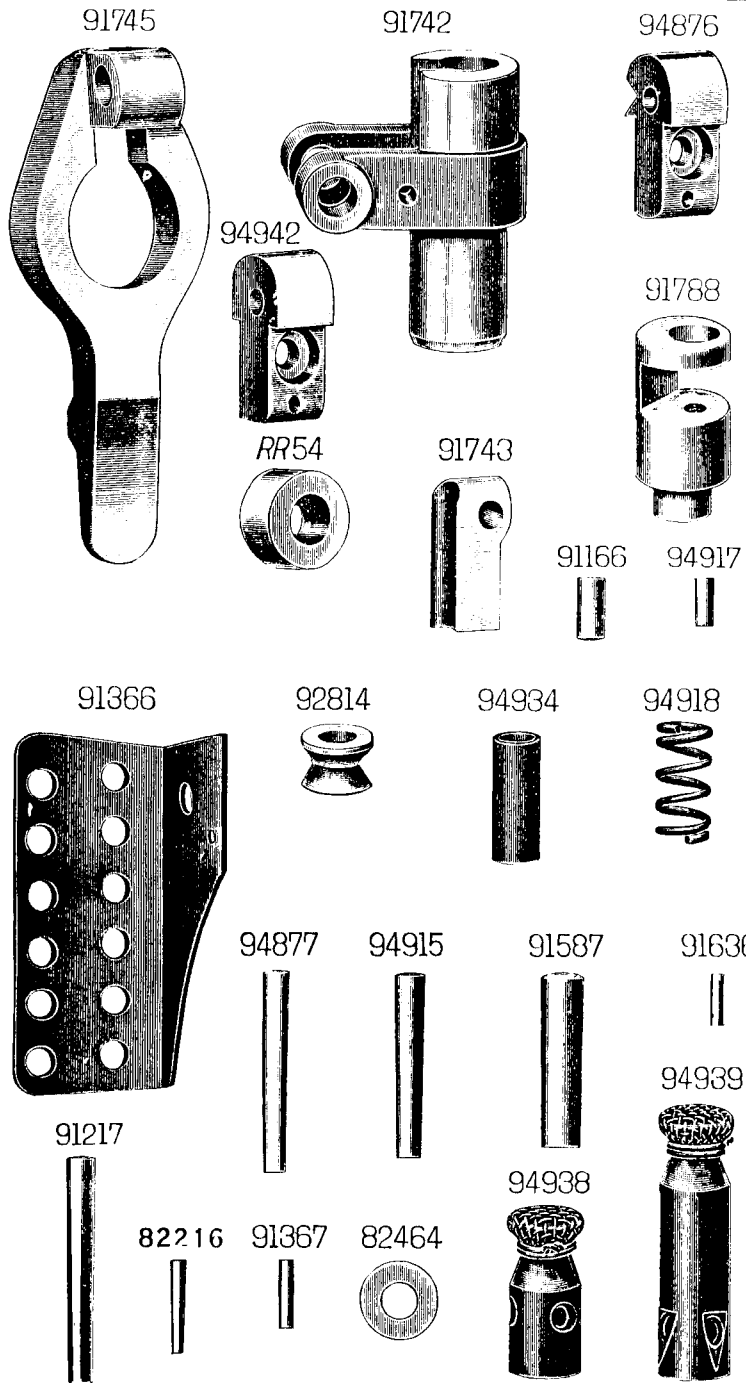




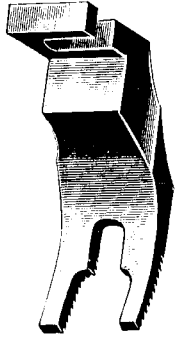




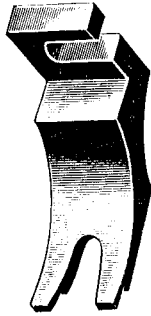
From the library of: Diamond Needle Corp



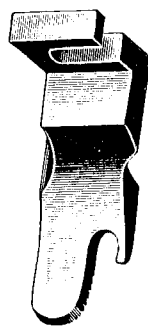
91596



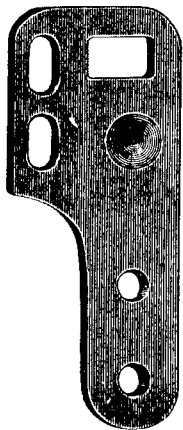
94899



91550



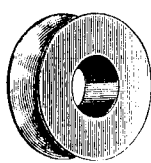
91696



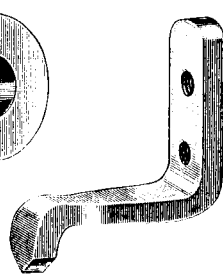
82521



91357



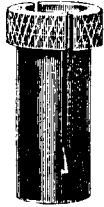
94897



91363



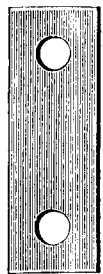
94924



91644



91532



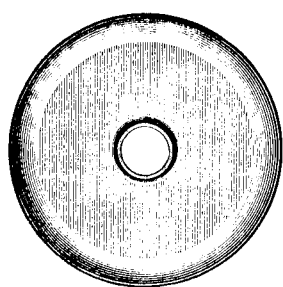
82400



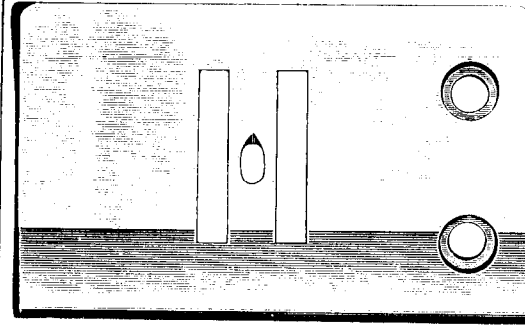
8582



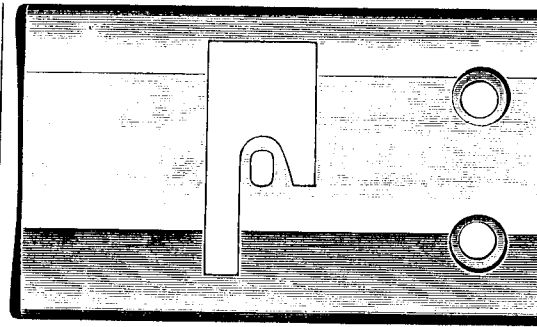
89363



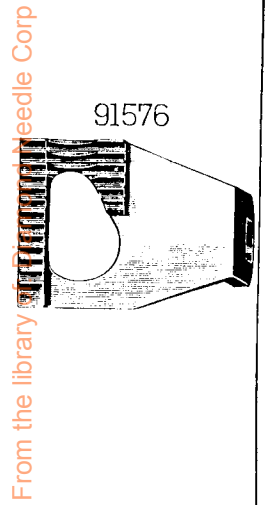
91750



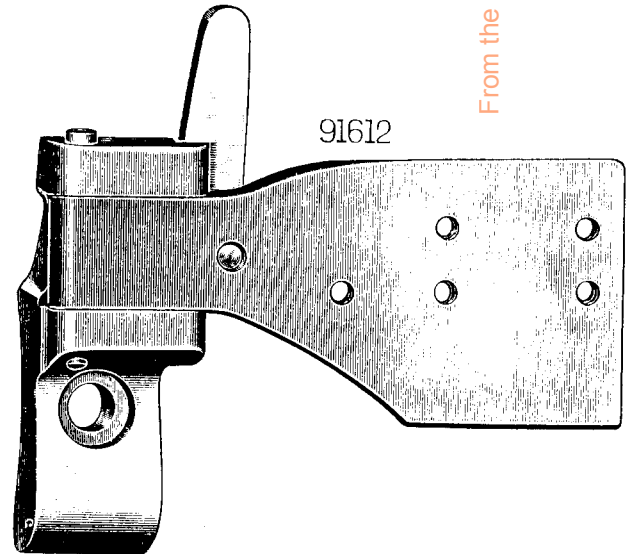
91601



91576

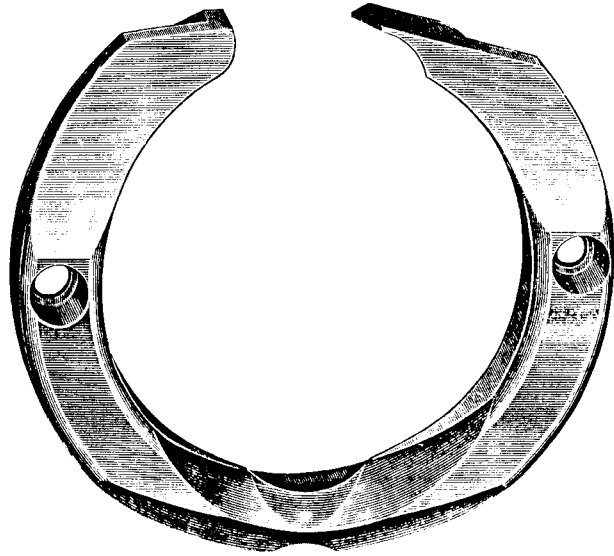


91612



From the library of Sewing Machine Corp

94912



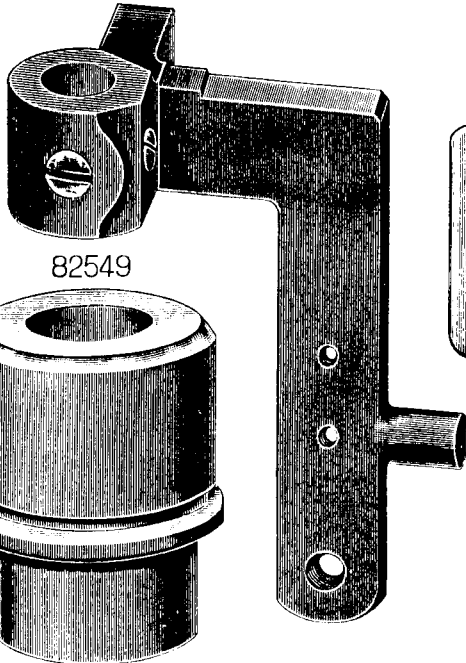
91169



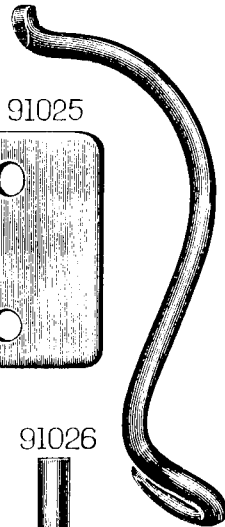
82460



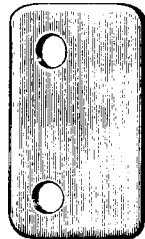
94896



94905



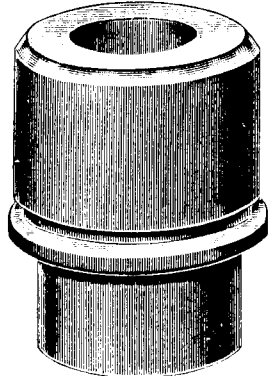
91025



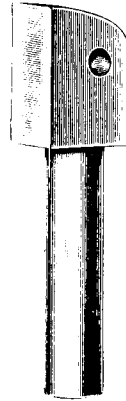
91026



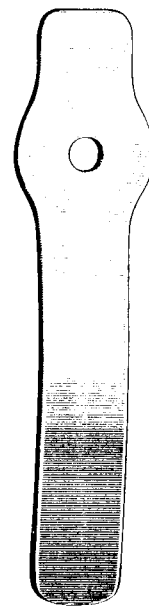
82549



94914



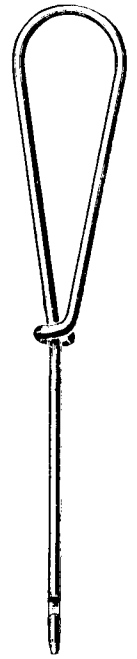
94916



2103



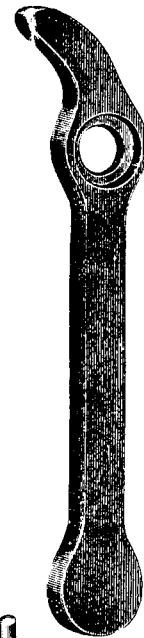
86196



91529



94885



8800



82462



94921



91583



From the library of: Diamond Needle Corp

80106



91744



11663



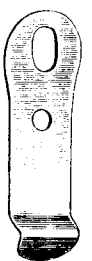
91113



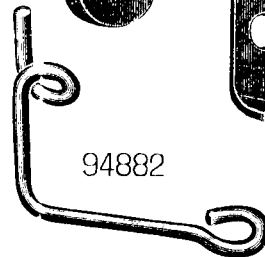
8575



91635



94882



94809



82426



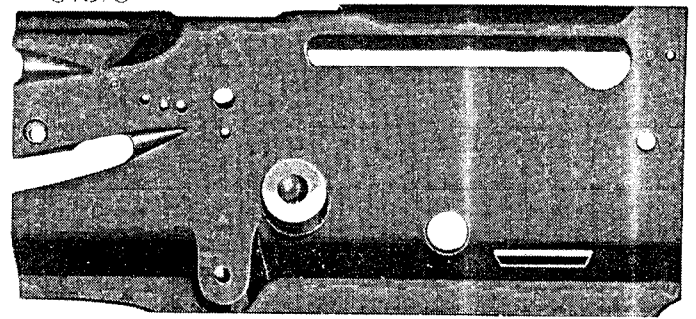
91763



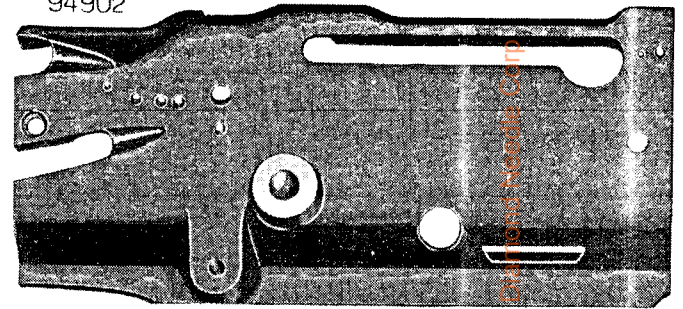
91021



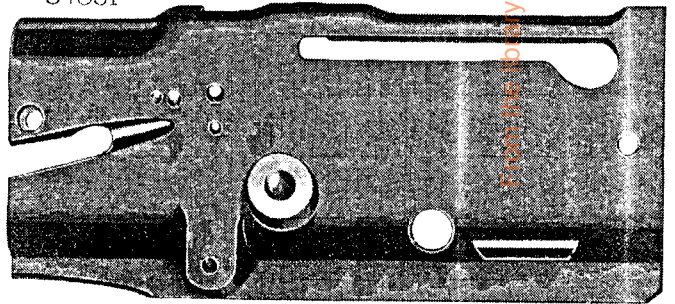
94873



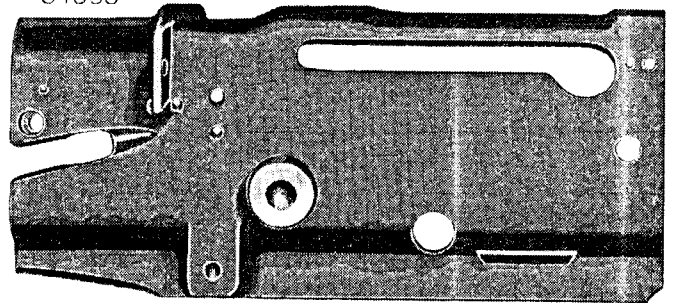
94902



94891

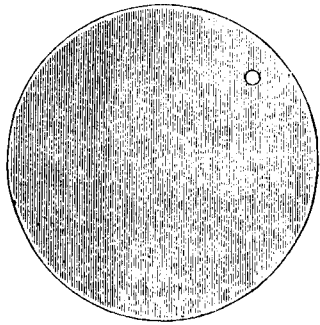


94930

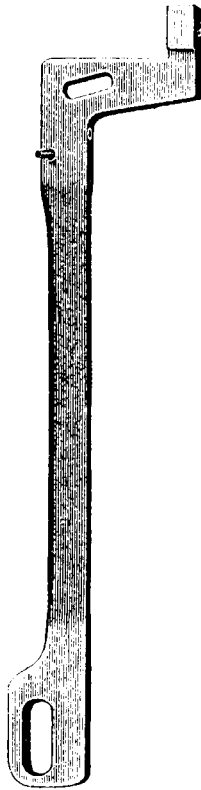


View the body of this post on our site

82402



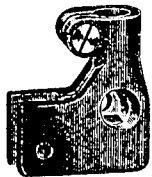
91582



94801



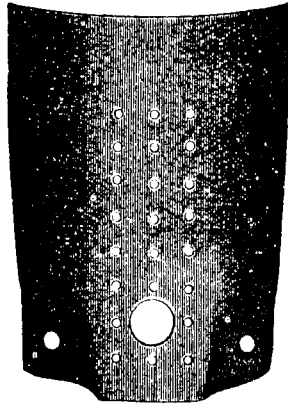
91595



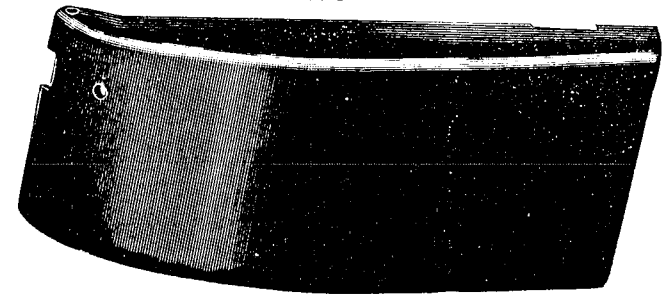
94881



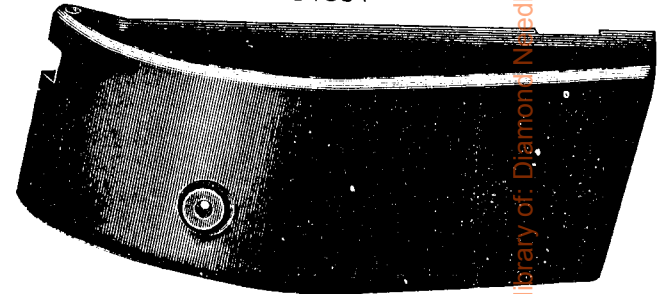
91533



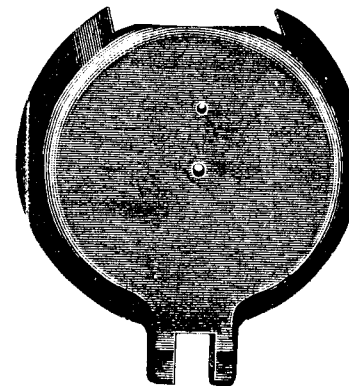
94875



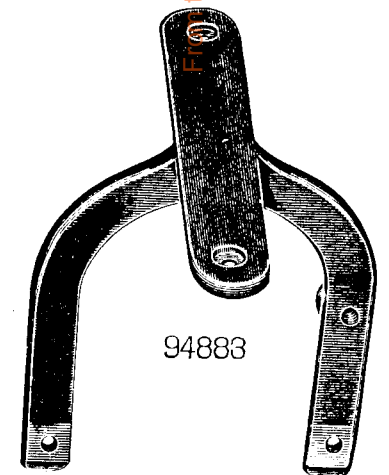
94904



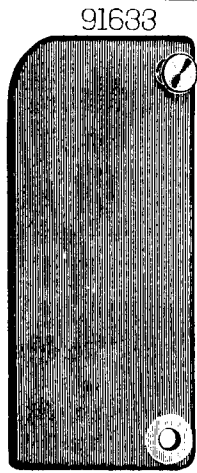
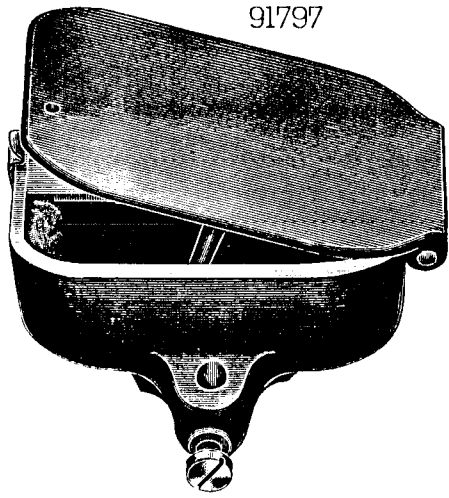
94913



94883

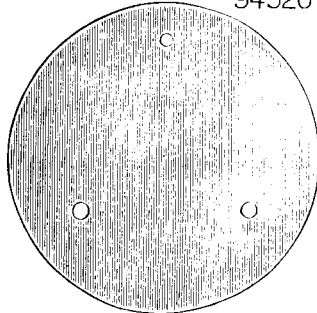
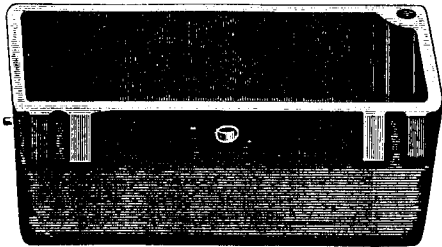


From the library of: Diamond Needle Corp



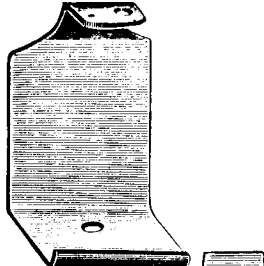
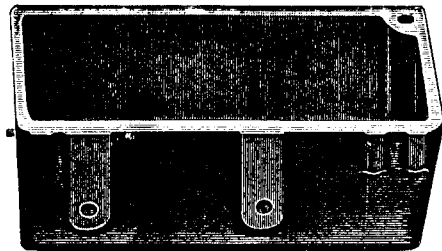
94927

94920



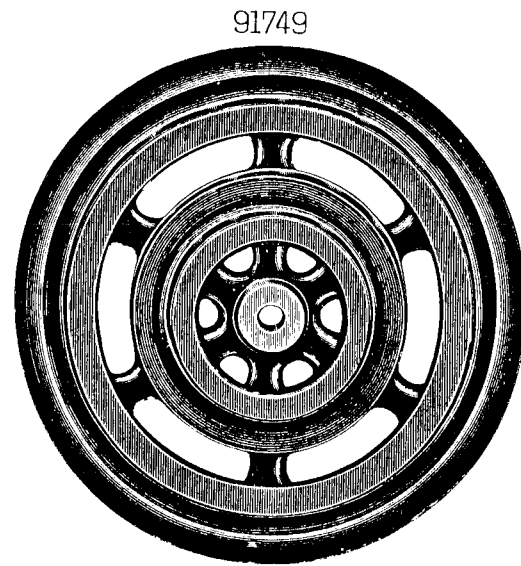
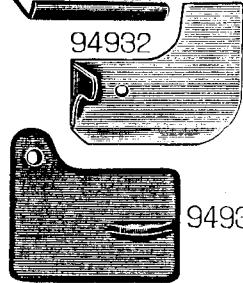
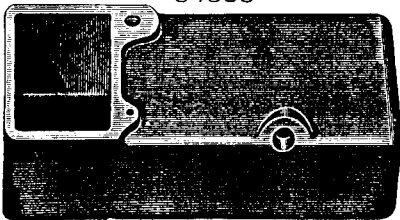
94922

94937



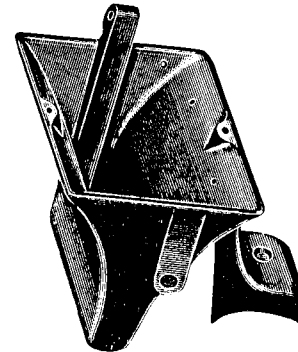
94933

94932



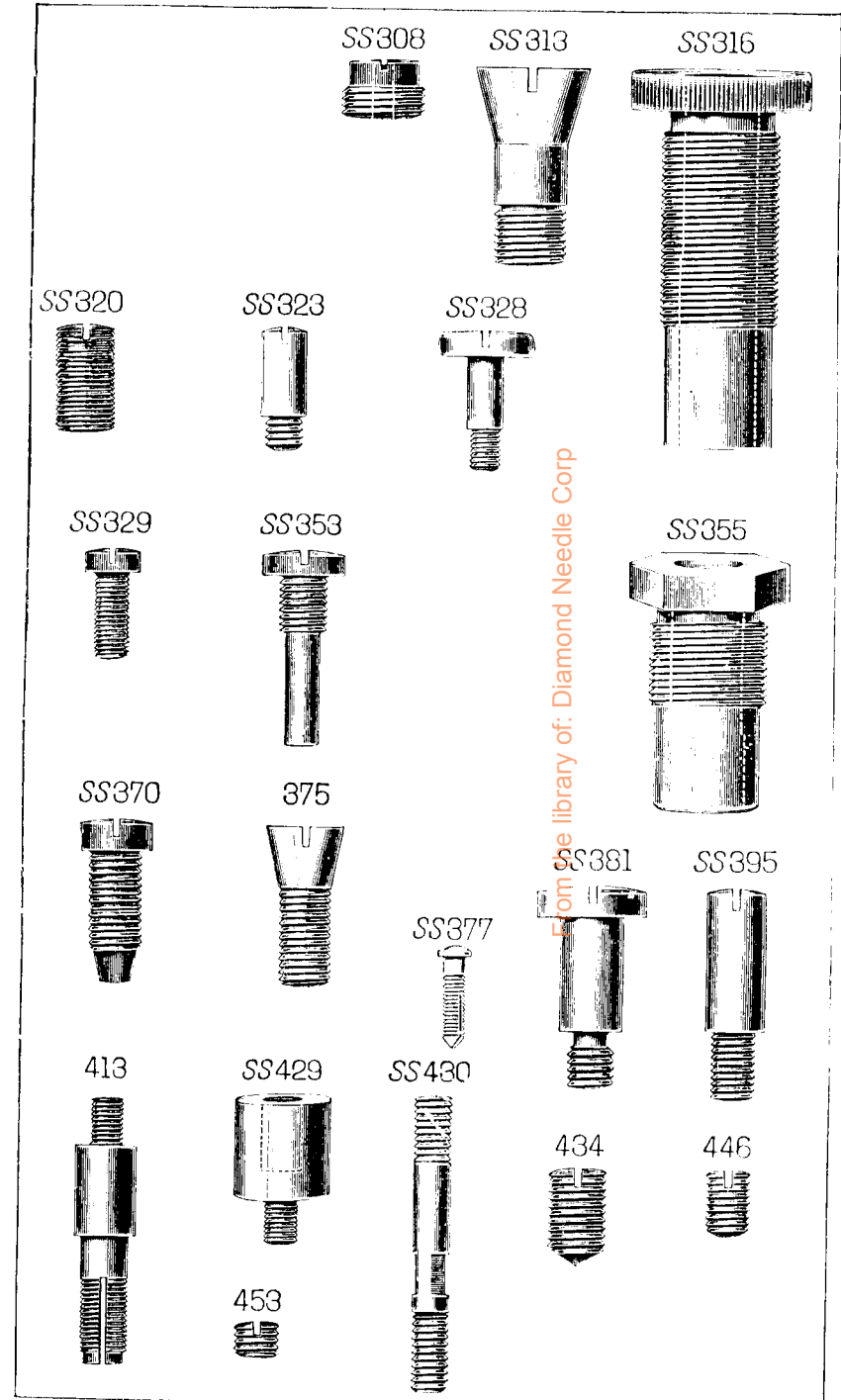
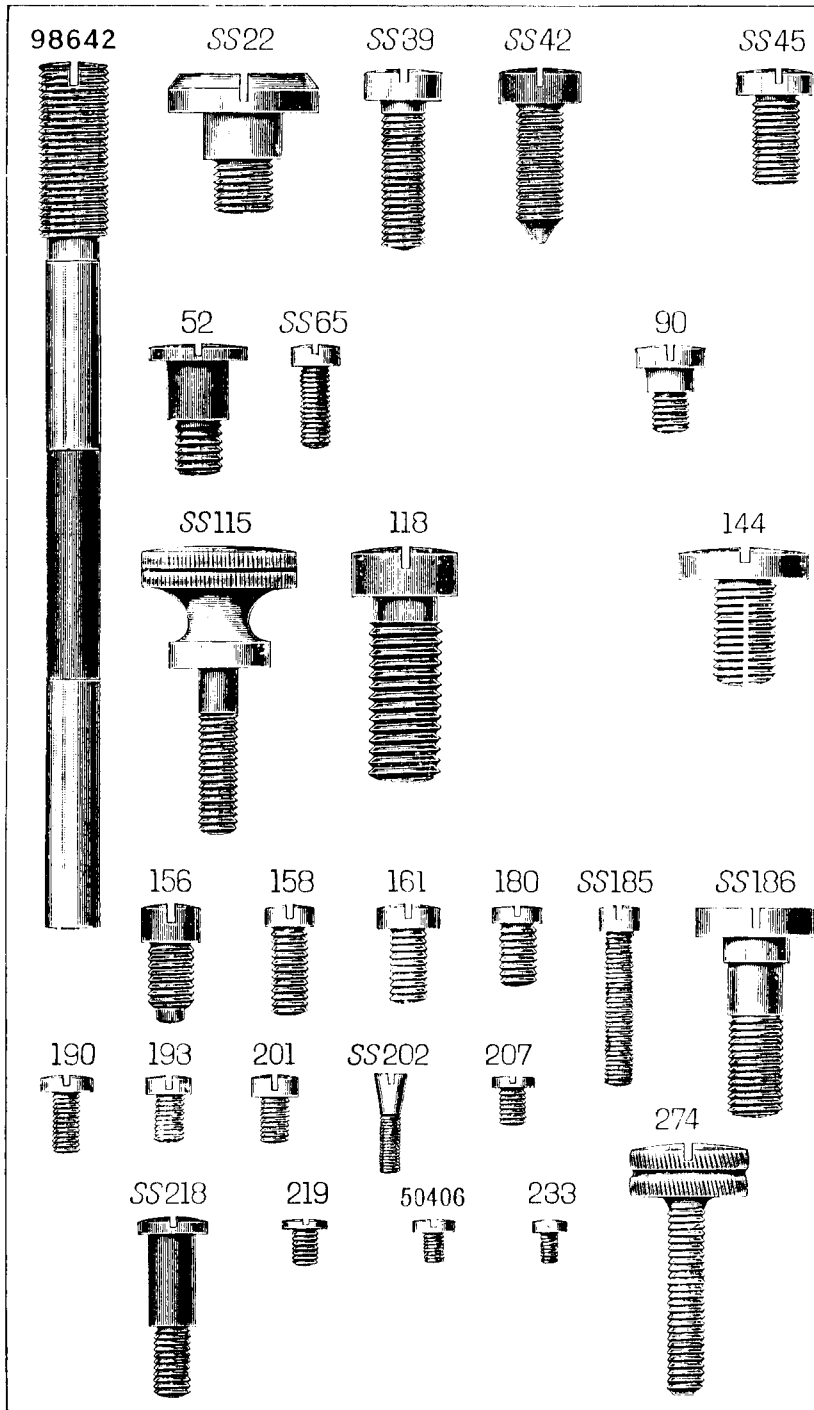
91755

94880



From the library of: Diamond Needle Corp





From the library of: Diamond Needle Corp

637



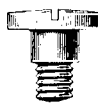
704



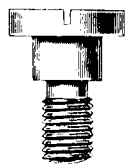
793



946



1128



1247



1259



1323



1513



1518



1539



1560



1620



NV34



NV35



RR17



RR24



RR41



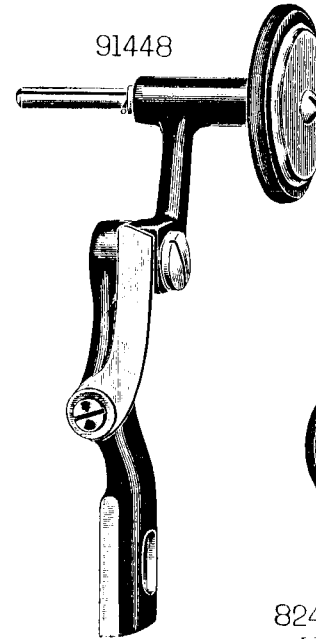
RR54



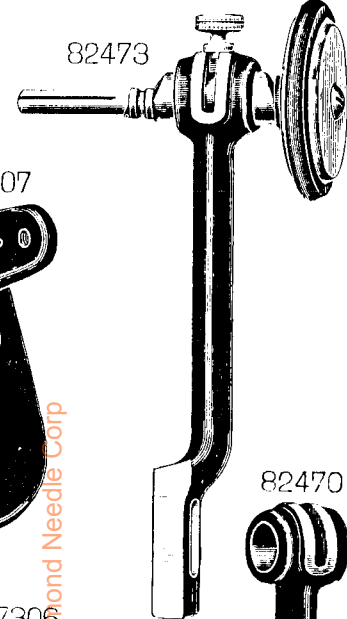
1850



91448



82473



27307



82470



82471



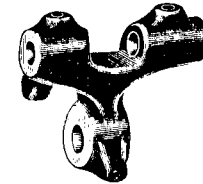
27306



80817



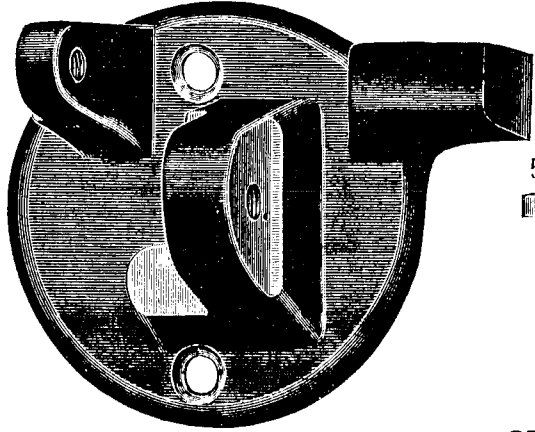
27302



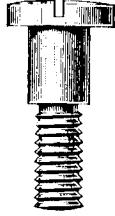
From the library of: Diamond Needle Corp

27540

98673

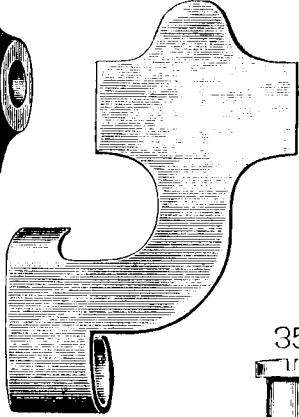
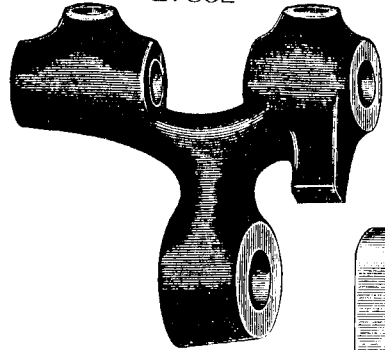


50356



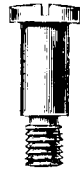
27302

95197



27541

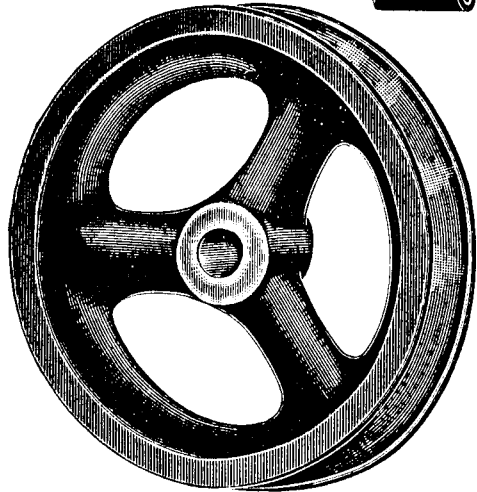
35



1620

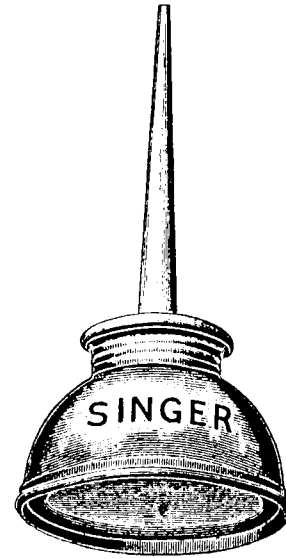


27303

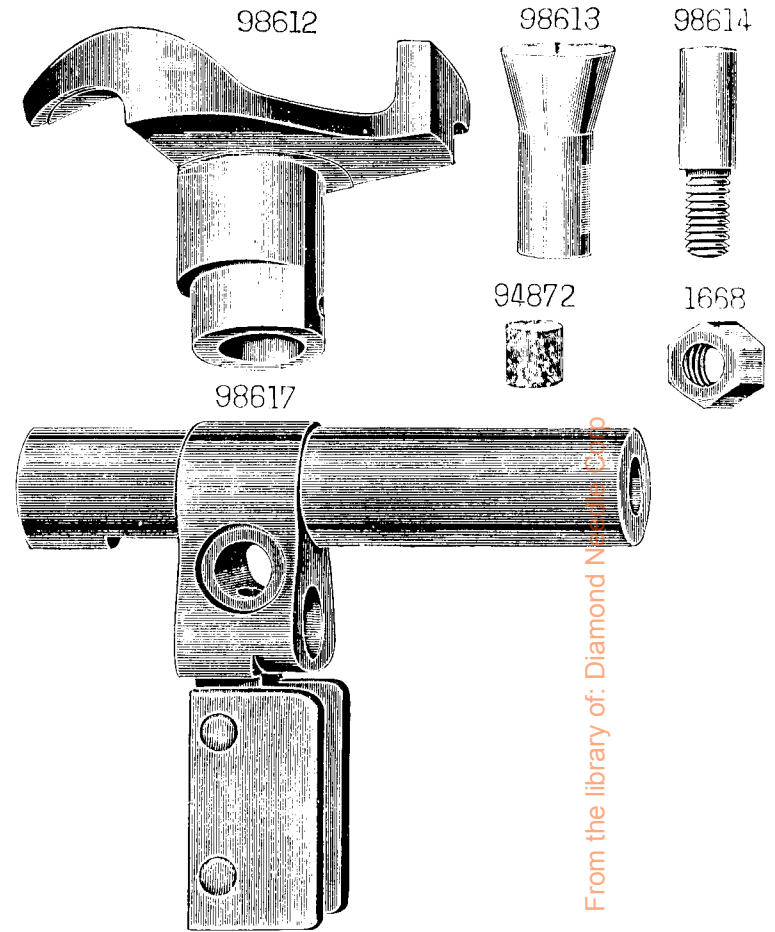
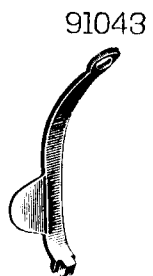
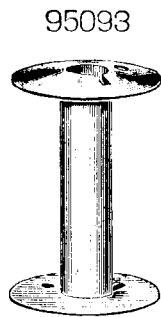
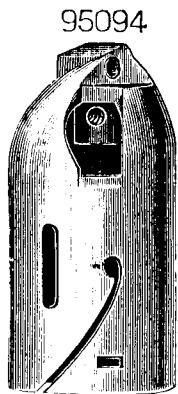
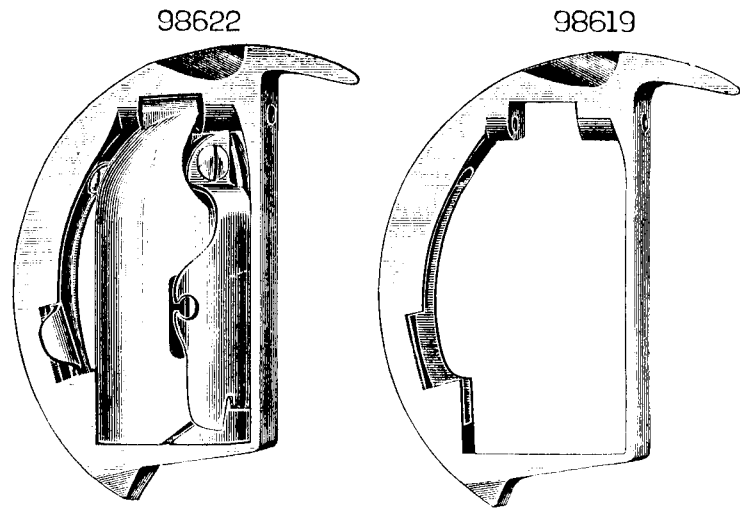


86611

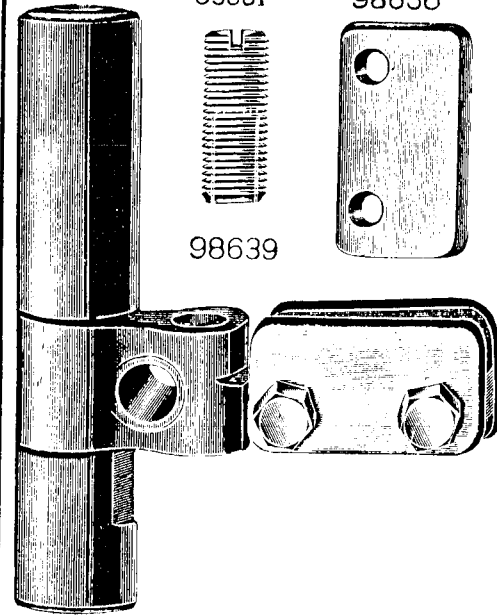
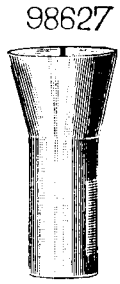
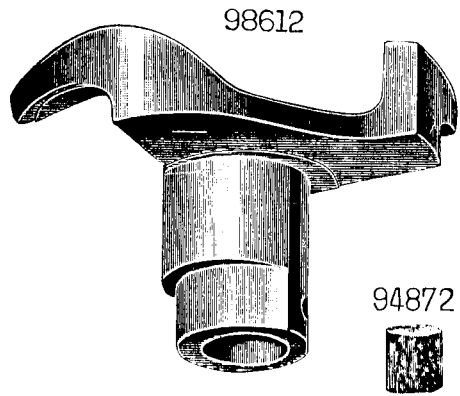
120342



From the library of: Diamond Needle Corp



From the library of: Diamond Needle Corp



SS531

98639

98636

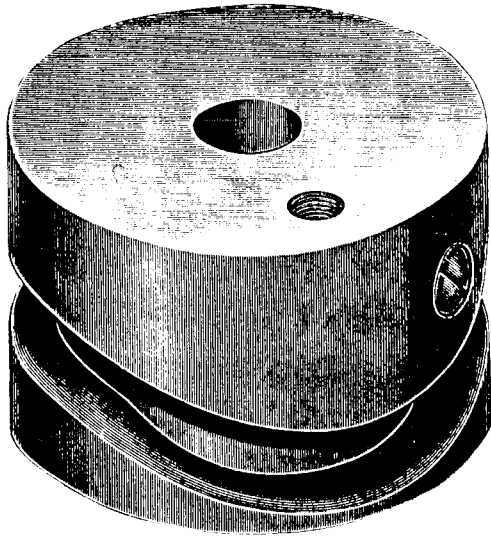
98637

SS537

1698

From the library of: Diamond Needle Corp

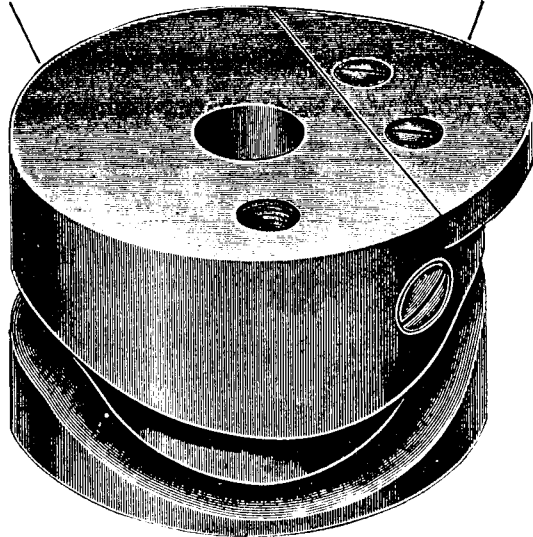
94852



94849

94850

91769



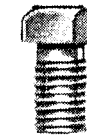
157



SS442



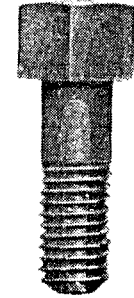
SS517



SS574



597



1075



50053



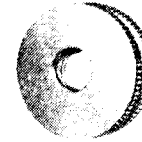
51224



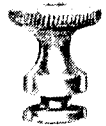
50190



NN21



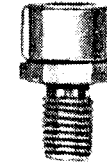
1536



1650



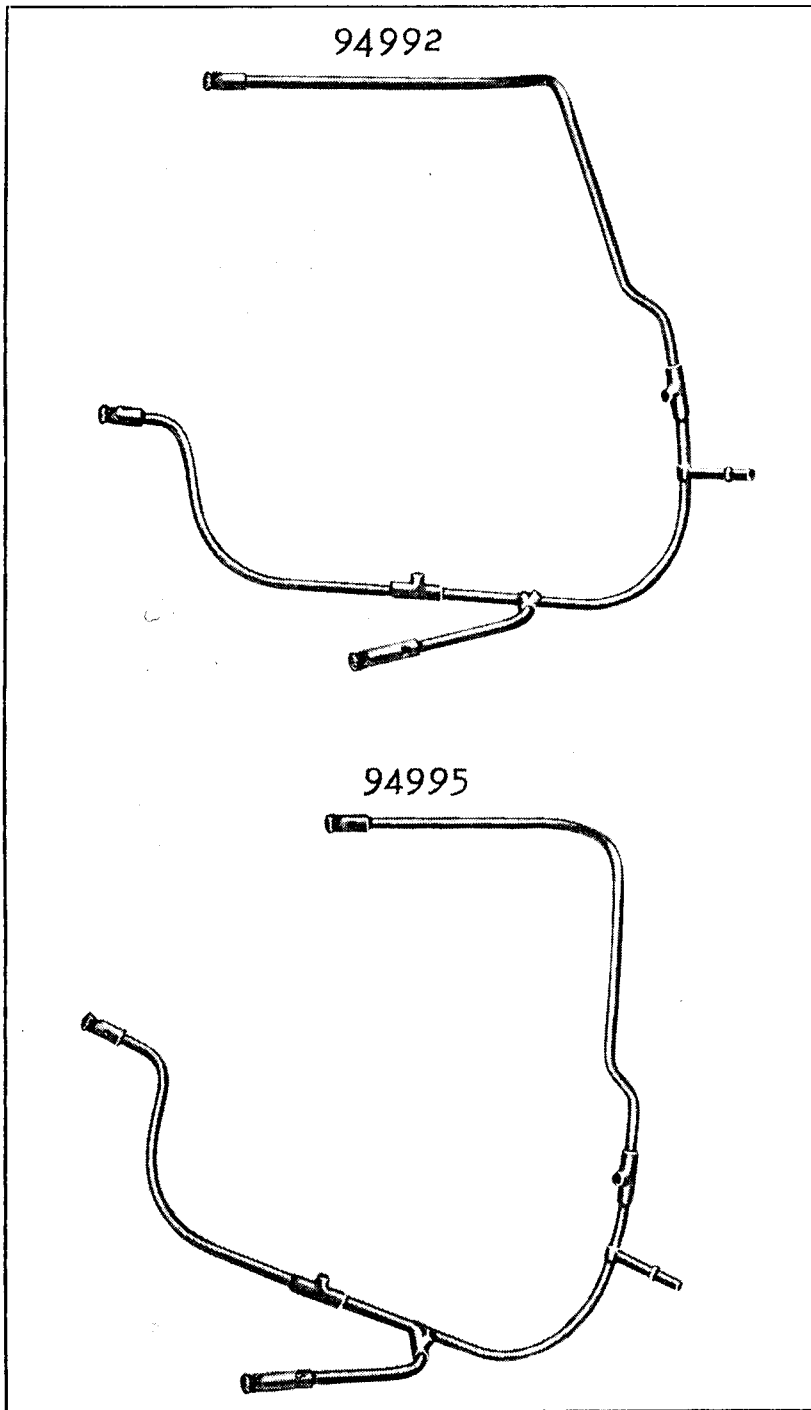
RR66



560



From the library of: Diamond Needle Corp



ILLUSTRATED

LIST OF PARTS

FOR

Nos. 45K66, 45K67

and 45K70 Machines

From the library of: Diamond Needle Corp

CONTENTS

	Page
Parts complete for No. 45K66 Machine	61
" " " " 45K67 " 	67
" " " " 45K70 " 	74
Accessories	82
Attachments	83
Bobbin Winders	87
Foot Lifter	89
Driving Attachment	90
Obsolete Parts	91
Numerical List of Parts	93

INSTRUCTIONS FOR ORDERING

In ordering from this List, the prefix and affix letters with the part number **MUST BE** quoted exactly as they are shown in the first column.

A number always indicates the same part in whatever List it may appear, or for whatever machine.

The affix letters (where shown) indicate the style of finish, as follows:—

- A. Hardened, Polished, Nickel Plated and Buffed.
- A.A. Buffed and Chromium Plated.
- A.B. Hardened, Polished, Buffed and Chromium Plated.
- A.C. Brown Baking Enamel Finish.
- A.D. Grey Baking Enamel Finish.
- A.E. Hardened, Bright Rumbled and Nickel Plated.
- A.F. Hardened, Bright Rumbled and Nickel Plated, Bright Rumbled and Chromium Plated.
- A.J. Polished, Nickel Plated and Chromium Plated.
- A.K. Hardened, Polished, Nickel Plated and Chromium Plated.
- A.L. Heat Treated for Toughness.
- B. Polished, Nickel Plated and Buffed.
- C. Hardened only.
- C.R. Hardened and Merlized.
- D. Polished only.
- E. Soft, not Polished.
- F. Hardened and Polished.
- F.J. Hardened, Polished and Nickel Plated.
- G. Bright Rumbled and Nickel Plated.
- H. Blued.
- J. Nickel Plated only.
- K. Hardened and Nickel Plated.
- L. Brass Plated.
- M. Oxidized.
- N. Japanned, Dull.
- P. Japanned, Bright.
- P.P. Wrinkle Finish.
- R. Merlized.
- S. Cadmium Plated.
- T. Copper Plated.
- T.A. Hardened, Polished, Copper and Nickel Plated and Buffed.
- T.B. Copper and Nickel Plated and Polished.
- T.J. Copper and Nickel Plated only.
- T.K. Hardened, Copper and Nickel Plated.
- T.L. Copper and Brass Plated.
- T.M. Copper Plated and Oxidized.
- U. Zinc Plated.
- V. Silver Plated.
- W. Polished and Nickel Plated.
- X. Black Oxide for Iron and Steel.
- X.C. Hardened and Black Oxide for Iron and Steel.
- Y. Black Nickel Plated only.
- Z. Chromium Plated.
- Z.A. Hardened, Polished, Nickel Plated, Buffed and Chromium Plated.
- Z.B. Polished, Nickel Plated, Buffed and Chromium Plated.
- Z.C. Hardened and Chromium Plated.
- Z.D. Polished and Chromium Plated.
- Z.G. Bright Rumbled, Nickel Plated, Bright Rumbled and Chromium Plated.
- Z.J. Nickel and Chromium Plated.
- Z.T. Copper and Chromium Plated.

Parts marked with an asterisk (*) are furnished only when the repairs are made at Factory.

From the library of: Diamond Needle Corp

Parts Complete

FOR

No. 45K66 Machine

**Cylinder Bed, Drop Feed, Needle Bar Cam, Compound Take-up, fitted with
a Gas Heating device for Hot Wax Stitching, for Heavy and Army
Boot work.**

No.	Plate							
*94870	---	Arm with 446c, 82499 and 82549
8582	1100	" Dowel Pin (2)
118e	1112	" Screw (3)
91755	1110	Arm Shaft
82499	997	" " Bushing (back)
82549	1103	" " " (front)
446c	1113	" " " Set Screw for 82499
82400	1100	" " Oil Tube
144c	1112	" " Screw
82402	1107	Arm Side Cover
51224d	2622	" " " Thumb Screw
82403	1099	Arm Spool Pin
91749	1110	Balance Wheel (three-speeds) with two 4:4
434c	1113	" " " Set Screw
*94871	---	Bed
94801	1107	Crank Connecting Rod with 94802, 94872 and two 158e
*94802	---	" " " Cap
94872	1742	" " " Oil Pad
158e	1112	" " " Screw
98627	1742	" " " Hinge Stud
98614	1742	" " " Cotter Pin
1668c	1742	" " " " " Nut

No. 45K66 MACHINE PARTS

No.	Plate						
94873	1106	Face Plate
SS45d	1112	"	"	Screw (top)
158c	1112	"	"	" (bottom)
82450	997	"	"	Thread Eyelet
SS50f	252	"	"	" " Screw
91781	997	"	"	" Guard
201d	1112	"	"	" " Screw
91357	1100	"	"	" Guide Wheel
52c	1112	"	"	" " Hinge Screw
SS429c	1113	"	"	" " " " Reception Screw
						Stud	
91782	1096	"	"	" Retaining Spring
1323f	1114	"	"	" " Adjusting Screw
91783	1096	"	"	" " Plate
91784	1096	"	"	" " Position Pin
91366	1098	"	"	" Tension Protecting Bracket with 91367
207f	1112	"	"	" " " Screw
91367	1098	"	"	" " " Steady Pin
94874	—	Face Plate, complete, Nos. SS50f, 52c, 201d, 207f, SS429c, 1323f, 82450, 91357, 91366, 91781 to 91784 and 94873
94875	1108	Face Plate Swing Cover
94876	1098	"	"	" Hinge Block (steel)
94877	1098	"	"	" " Pin
SS65d	1112	"	"	" " Screw
82216	1098	"	"	" " Steady Pin
80106	1104	"	"	" Retaining Spring
219f	1112	"	"	" " Screw
82462	1104	"	"	" " Washer
94878	—	Face Plate Swing Cover, complete, Nos. SS65d, 219f, 80106, 82216, 82462 and 94875 to 94877
3032	997	Feed Cam with 446c
446c	1113	"	"	Set Screw
52165	1096	Feed Connecting Link
375c	1113	"	"	" Hinge Screw (2)
1518c	1114	"	"	" " Nut (2)
91576	1101	Feed Dog for General Work
91160	849	"	"	Carrier
704c	1114	"	"	Screw

No. 45K66 MACHINE PARTS

No.	Plate						
91161	881	Feed Forked Connection
375c	1113	"	"	" Hinge Screw
1518c	1114	"	"	" " Nut
82414	997	Feed Regulator
1128e	1114	"	"	Hinge Screw
SS115d	1112	"	"	Thumb Screw
*91162	—	Feed Rock Shaft
91163	881	"	"	" 91162 with 91165 and 91166
91565	—	"	"	" 91163 with 98674
91165	—	"	"	" Carrier Slide with 1259c
1259c	1114	"	"	" " Set Screw
91166	1098	"	"	" " Steady Pin
98674	997	"	"	" Crank with 156f and SS517c
SS517c	2622	"	"	" Clamping Screw
156f	1112	"	"	" Position Screw
91490	1099	Guide
793d	1114	"	"	Thumb Screw (2)
91611	—	Guide Holder
91603	—	"	"	Bracket
91217	1098	"	"	" Hinge Pin
91604	—	"	"	Hinge Lever
946f	1114	"	"	" Screw
91612	1101	Guide Holder (Swing), complete, Nos. 946f, 91217, 91603, 91604 and 91611
SS39d	1112	"	"	Binding Screw
94992	2623	Heating Tube
91363	1100	"	"	Connecting Bracket (for Arm, Front)
91363	1100	"	"	" " " " (" " Back)
91532	1100	"	"	" " " " (" Bed)
180f	1112	"	"	" " Screw
91533h	1107	"	"	" Lower Flame Guard Plate
180f	1112	"	"	" " " Screw
560d	2622	"	"	" Supply Control Screw
NN35d	1114	"	"	" " Wing Nut
94979	—	Heating Tube, 94992 with 91532, 91533h, two 91363 and six 180f
94982	—	Hot Wax Fittings, complete, Nos. SS39d, 94874, 94878, 94886 and 94979

No.	Plate					
94880	1110	Hot Wax Pot
94881	1107	" " "	Bobbin Trough with two 193f
193f	1112	" " "	" " Binding Screw
89363	1100	" " "	Tension Disc
*637e	1114	" " "	" " Screw Stud
33929	—	" " "	" " " 637e with 1560d
1560d	1114	" " "	" " " Thumb Nut
2103	1104	" " "	" " Spring
94882	1104	" " "	" " Thread Guide
704c	1114	" " "	" " " Screw
91529	1104	" " "	Thread Eyelet (Rubber)
SS308c	1113	" " "	" " " Screw
82462	1104	" " "	" " " Washer
94883	1108	" " "	" " Guide Bracket
91357	1100	" " "	" " " Wheel
52c	1112	" " "	" " " Screw
94884	—	" " "	" " " complete, Nos. 94883, three each 52c and 91357
793d	1114	" " "	" " " Binding Thumb Screw
94885	1104	" " "	" " Releasing Lever
90e	1112	" " "	" " " Hinge Screw
94886	---	Hot Wax Pot , complete, Nos. 90e, SS308c, 704c, 2103, 33929, 82462, 91529, 94880 to 94882, 94884, 94885, two each 793d and 89363
SS39d	1112	Hot Wax Pot Binding Screw
91021	1105	Needle Bar
91764	997	" " "	Cam with SS202d and two 704c
SS202d	1112	" " "	" " Adjusting Screw
704e	1114	" " "	" " Clamping Screw
82419	1096	" " "	" " Guide
158c	1112	" " "	" " Screw (2)
RR66	2622	" " "	Roller and Screw Stud
82520	---	Needle Clamp
156f	1112	" " "	" " Screw
82521	1100	" " "	" " Thread Guide
50406d	1112	" " "	" " Screw
82522	1096	" " "	82520 with 156f, 50406d and 82521
98639	2001	Oscillating Rock Shaft with 98636, 98637, two each SS537e and 1698c
98642	1112	" " "	" " Hinge Pin
1513j	1114	" " "	" " " Nut
SS531c	2001	" " "	" " " Screw Bearing

No.	Plate					
1513j	1114	Oscillating Rock Shaft Hinge Pin Screw Bearing Nut
98636	2001	" " " Steel Plate (bottom)
98637	2001	" " " " " " (top)
SS537e	2001	" " " " " " Binding Screw
1698c	2001	" " " " " " " " Lock Nut
98641	---	Oscillating Rock Shaft , complete, Nos. 1668e, 98614, 98627 and 98639
91171	881	Oscillating Shuttle Shaft
91172	849	" " " Crank with 453c and 1850
11863	1104	" " " " " Pin
1850	1114	" " " " " Roller and Stud
453c	1113	" " " " " Set Screw
82426	1105	Presser Bar (with squared end)
82429	1099	" " Lifter
SS186d	1112	" " " Hinge Screw
1518c	1114	" " " " " Nut
91767	997	Presser Bar Lifting Bracket with 142c and 1259c
1259c	1114	" " " " " Set Screw (front)
142c	2622	" " " " " " " " Set Screw (side)
SS316d	1113	" " " Screw Bushing
82430	1096	" " " Spring (spiral)
91033	1097	Presser Foot (Cloth)
85827	175	" " (Leather)
91034	1097	" " (")
SS65f	1112	" " " Screw

NOTE. This Machine is supplied with Roller Presser No. 82435

RR25	252	Roller (1½" diam. × ⅝" face) with 378c and 1520r
82432	252	" Arm
82433	252	" " Bracket
430al	252	" " " Adjusting Screw
1520r	252	" " " " " Nut
SS329c	1113	" " " Clamping Screw
82434	252	" " Lock Spring
SS50c	252	" " " " " Screw
313c	252	" " " Screw Centre
1519e	252	" " " " " Nut
378c	252	" Bearing Screw
1520r	252	" " " " " Nut
82435	252	Roller Presser , complete (1½" × ⅝"), Nos. RR25, SS50c, SS329c, 430al, 1520r, 82432 to 82434, two each 313c and 1519e
95093	1694	Shuttle Bobbin
95094	1694	" Cylinder
91042	1694	" " Hinge Pin
91043	1694	" " Latch Spring
SS574d	2622	" " " " " Screw

From the library of: Diamond Needle Corp

No.	Plate	
98619	1694	Shuttle Frame
95095	1694	" Tension Spring
SS377f	1694	" " " Adjusting Screw
98622	1694	Shuttle (Cylinder) 2½" diam., complete, Nos. SS377f, SS574d, 91042, 91043, 95093 to 95095 and 98619
98612	1742	Shuttle Driver and Feed Raising Cam
11663	1104	" " Pin

NOTE.—Shuttle Driver No. 98612 must be used in conjunction with Shuttle No. 98622 and vice versa. These new parts are not interchangeable.

91451	827	Shuttle Race (Cast Iron)
91315	849	" " Cap Spring
SS218d	1112	" " " Screw
91452	827	" " Cover
91430	849	" " Ring
SS318d	849	" " " Position Screw Stud (2)
94852	2621	Thread Take-up Cam with SS320c and SS370c
SS320c	1113	" " " Set Screw
SS370c	1113	" " " Timing Screw
94888	—	Thread Take-up Lever
SS22f	1112	" " " Hinge Screw
92814	999	" " " Roller
RR24	1114	" " " " and Stud
1519e	252	" " " " " Nut
SS328e	1113	" " " " Screw
94889	1099	Thread Take-up Lever, complete, Nos. RR24, SS328e, 1519e, 92814 and 94888
91787	999	Thread Take-up Lever (Auxiliary)
SS381d	1113	" " " (") Hinge Screw
1620c	1114	" " " (") " " Nut
RR17	1114	" " " (") Roller and Screw Stud
91788	1098	" " " (") Thread Eyelet
92814	999	" " " (") " " Roller
1247f	1114	" " " (") " " " Screw
91789	—	Thread Take-up Lever (Auxiliary), complete, Nos. 1247f, 91787, 91788 and 92814
91601	1101	Throat Plate for 91576 for General Work
180f	1112	" " Screw (2)
94890	—	Work Plate
SS39d	1112	" " Screw

NOTE.—No 94890 is only supplied when specified on order and at an extra charge.

Parts Complete

FOR

No. 45K67 Machine

Cylinder Bed, Drop Feed, Needle Bar Cam, Compound Take-up, High Lift and Vibrating and Climbing Presser. For General Saddlery (except hot wax stitching), Bag, Portmanteau, Slipper, Rubber Boot Heel, Textiles, etc.

No.	Plate	
*91754	—	Arm with 446c, 82499 and 82549
8582	1100	" Dowel Pin (2)
118e	1112	" Screw (3)
91755	1110	Arm Shaft
82499	997	" " Bushing (back)
82549	1103	" " " (front)
446c	1113	" " " Set Screw for 82499
82400	1110	" " Oil Tube
144c	1112	" " Screw
82402	1107	Arm Side Cover
51224d	2622	" " " Thumb Screw
82403	1099	Arm Spool Pin
91749	1110	Balance Wheel (three-speeds) with two 434c
434c	1113	" " Set Screw
*91463	—	Bed
94801	1107	Crank Connecting Rod with 94802, 94872 and two 158e
*94802	—	" " " Cap
94872	1742	" " " " Oil Pad
158e	1112	" " " " Screw
98627	1742	" " " " Hinge Stud
98614	1700	" " " " " Cotter Pin
1668c	1700	" " " " " " Nut

From the library of: Diamond Needle Co.

No.	Plate						
94891	1106	Face Plate
SS45d	1112	"	"	Screw (top)
158c	1112	"	"	" (bottom)
82450	997	"	"	Thread Eyelet
SS50f	252	"	"	" " Screw
91781	997	"	"	" Guard
201d	1112	"	"	" " Screw
89363	1100	"	"	" Retainer Disc
*413e	1113	"	"	" " Screw Stud
33892	—	"	"	" " " 413e with 1560d
1560d	1114	"	"	" " " Regulating Thumb Nut
91644	1100	"	"	" " Spring
94892	—	"	"	" " complete, Nos. 33892, 91644 and two 89363
91782	1096	"	"	Thread Retaining Spring
1323f	1114	"	"	" " " Adjusting Screw
91783	1096	"	"	" " " Plate
91784	1096	"	"	" " " Position Pin
94893	—	Face Plate , complete, Nos. SS50f, 201d, 1323f, 82450, 91781 to 91784, 94891 and 94892
3032	997	Feed Cam with 446c
446c	1113	"	"	Set Screw
52165	1096	Feed Connecting Link
375c	1113	"	"	" " Hinge Screw (2)
1518e	1114	"	"	" " " Nut (2)
91576	1101	Feed Dog for General Work
91541	856	"	"	" " Angular Stitch work
91486	855	"	"	" " Bag Handle work
91543	857	"	"	" " single row of teeth for stitching Rings into Golf Bags
91160	849	"	"	" " Carrier
704c	1114	"	"	" " Screw
<i>NOTE. —No. 91576 is sent with this machine unless otherwise specified on order.</i>							
91161	881	Feed Forked Connection
375c	1113	"	"	" " Hinge Screw
1518e	1114	"	"	" " " Nut
82414	997	Feed Regulator
1128e	1114	"	"	" " Hinge Screw
SS115d	1112	"	"	" " Thumb Screw

No.	Plate						
*91162	—	Feed Rock Shaft
91163	881	"	"	" " 91162 with 91165 and 91166
91565	—	"	"	" " " 91163 with 98674
91165	—	"	"	" " " Carrier Slide with 1259c
1259c	1114	"	"	" " " " " Set Screw
91166	1098	"	"	" " " " " Steady Pin
98674	997	"	"	" " " Crank with 156f and SS517c
SS517c	2622	"	"	" " " " Clamping Screw
156f	1112	"	"	" " " " Position Screw
91490	1099	Guide
793d	1114	"	"	Thumb Screw (2)
91611	—	Guide Holder
91603	—	"	"	" " Bracket
91217	1098	"	"	" " " Hinge Pin
91604	—	"	"	" " " Hinge Lever
916f	1114	"	"	" " " " Screw
91612	1101	Guide Holder (Swing) , complete, Nos. 916f, 91217, 91603, 91604 and 91611
SS39d	1112	"	"	" " Binding Screw
91739	—	Lifting Presser Plunger
8575	1104	"	"	" " " Position Pin
RR54	1114	"	"	" " " Roller
SS323f	1113	"	"	" " " " Screw Stud
91740	1096	Lifting Presser Plunger , complete, Nos. RR54, SS323f and 91739
91763	1105	Needle Bar
91764	997	"	"	" " Cam with SS202d and two 704e
SS202d	1112	"	"	" " " Adjusting Screw
704e	1114	"	"	" " " Clamping Screw
82419	1096	"	"	" " " Guide
158c	1112	"	"	" " " " Screw (2)
RR66	2622	"	"	" " " Roller and Screw Stud
82520	—	Needle Clamp
156f	1112	"	"	" " Screw
82521	1100	"	"	" " Thread Guide
50406d	1112	"	"	" " " " Screw
82522	1096	"	"	" " " 82520 with 156f, 50406d and 82521

From the library of: Diam and Needle Corp

No.	Plate	
91796	—	Oil Box
82459	—	" " Cover
82460	1103	" " " Hinge Pin
80106	1104	" " " Latch Spring
219f	1112	" " " " " Screw
82462	1104	" " " " " Washer
82463	—	" " Oil Pad (Cloth)
SS50f	252	" " " " Screw
82462	1104	" " " " Washer
SS395f	1113	" " Stud Screw
SS42f	1112	" " " " Set Screw
91797	1109	Oil Box , complete, Nos. SS42f, SS50f, 219f, 80106, 82459, 82460, 82463, 91796 and two 82462
98639	2001	Oscillating Rock Shaft with 98636, 98637, two each SS537c and 1698c
98642	1112	" " " Hinge Pin
1513j	1114	" " " " " Nut
SS531c	2001	" " " " " Screw Bearing
1513j	1114	" " " " " " Nut
98636	2001	" " " Steel Plate (bottom)
98637	2001	" " " " (top)
SS537e	2001	" " " " Binding Screw
1698c	2001	" " " " Lock Nut
98641	—	Oscillating Rock Shaft , complete, Nos. 1668c, 98614, 98627 and 98639
91171	881	Oscillating Shuttle Shaft
91172	849	" " " Crank with 453c and 1850
11663	1104	" " " " Pin
1850	1114	" " " " Roller and Stud
453c	1113	" " " " Set Screw
94809	1105	Presser Bar (round)
91582	1107	" " (flat) with 91169
SS185f	1112	" " (") Adjusting Screw
NN35d	1114	" " (") " Lock Nut
52f	1112	" " (") Hinge Screw
91583	1104	" " (") Locking Plate
SS353d	1113	" " (") " Screw
91595	1107	" " (") Lower Guide Bracket with 157f and 91169
157f	2622	" " (") " " Clamping Screw
91169	1103	" " (") " " Retaining Spring Pin
RR41	1114	" " (") " " Roller Screw and Stud
91113	1104	" " (") Retaining Spring
91169	1103	" " (") " " Pin

No.	Plate	
91742	1098	Presser Bar Gripping Bracket
91743	1098	" " " " Block
91744	1104	" " " " " Retaining Pin
91745	1098	" " " " Grip Lever
430al	252	" " " " " Adjusting Screw
1520r	252	" " " " " " " " Nut
91587	1098	" " " " " " Hinge Pin
91746	997	" " " " " Retaining Spring
1650c	2622	" " " " " " " Lock Nut
NN21d	2622	" " " " " Retaining Spring
91747	—	Presser Bar Gripping Bracket , complete, Nos. 430al, 1520r, 91587 and 91742 to 91745
91895	1099	Presser Bar Lifter
SS186d	1112	" " " Hinge Screw
1518e	1114	" " " " " Nut
91896	1103	" " Lifting Bracket with two 1259c
91696	1100	" " " " Plate
190f	252	" " " " " Binding Screw
1259c	1114	" " " " " Set Screw
91897	1100	" " " " " Tension Release
190f	252	" " " " " " Binding Screw
91898	—	" " " " " 94896, with 91696, 94897 and four 190f
91769	2621	" " " " Cam
704c	1114	" " " " " Screw
SS355e	1113	" " " Screw Bushing
82430	1096	" " " Spring (spiral)
8627	881	" " " (flat) for Machine without Foot Lifter
91715	881	" " " (") " " fitted with Foot Lifter
1539d	1114	" " " (") Thumb Lock Nut
274d	1112	" " " (") " Screw
91550	1100	Presser Foot (plain) with single toe serrated
91596	1100	" " (") " two toes serrated
94899	1100	" " with two plain toes, for Rubber Heel work
91552	856	" " for Angular Stitch work
86142	855	" " " Bag Handle work
91554	857	" " " stitching Rings into Golf Bags
50190d	2622	" " Thumb Screw

NOTE.—No. 94899 is sent with this machine unless otherwise specified on order.

No.	Plate					
95093	1694	Shuttle Bobbin
95094	1694	" " Cylinder
91042	1694	" " " Hinge Pin
91043	1694	" " " Latch Spring
SS574d	2622	" " " " " Screw
98619	1694	" Frame
95095	1694	" Tension Spring
SS377f	1694	" " " Adjusting Screw
98622	1694	Shuttle (Cylinder), 2½" diam., complete, Nos. SS377f, SS574d, 91042, 91043, 95093 to 95095 and 98619
98612	1742	Shuttle Driver and Feed Raising Cam
11663	1104	" " Pin
<i>NOTE:—Shuttle Driver No. 98612 must be used in conjunction with Shuttle No. 98622 and vice versa. These new parts are not interchangeable.</i>						
91451	827	Shuttle Race (Cast Iron)
91315	849	" " Cap Spring
SS218d	1112	" " " " Screw
91452	827	" " Cover
91430	849	" " Ring
SS318d	849	" " " Position Screw Stud (2)
94849	2621	Thread Take-up Cam with SS320c and SS370c
SS320c	1113	" " " Set Screw
SS370c	1113	" " " Timing Screw
94850	2621	" " " 94849 with 91769 and two 701c
91505	—	Thread Take-up Lever
SS22f	1112	" " " Hinge Screw
92814	999	" " " Roller
RR24	1114	" " " " and Stud
1519e	252	" " " " " Nut
SS328e	1113	" " " " " Screw
91507	1096	Thread Take-up Lever , complete, Nos. RR24, SS328e, 1519e, 91505 and 92814
91787	999	Thread Take-up Lever (Auxiliary)
SS381d	1113	" " " (") Hinge Screw
1620c	1114	" " " (") " " Nut
RR17	1114	" " " (") Roller and Screw Stud
91788	1098	" " " (") Thread Eyelet
92814	999	" " " (") " " Roller
1247f	1114	" " " (") " " " Screw

No.	Plate					
91789	—	Thread Take-up Lever , (Auxiliary), complete, Nos. 1247f, 91787, 91788 and 92814
91601	1101	Throat Plate for 91576, for General work
91557	856	" " " 91541, for Angular Stitch work
91508	855	" " " 91486, for Bag Handle work
91559	—	" " " 91543, for 91561
91560	—	" " " Raised Plate for 91561
190c	252	" " " " " Screw for 91561
91561	857	" " " complete, Nos. 91559, 91560 and two 190c, for stitching Rings into Golf Bags
180f	1112	" " " Screw (2)

NOTE: No. 91601 is sent with this machine unless otherwise specified on order.

94890	—	Work Plate
SS39d	1112	" " " Screw

NOTE: No. 94890 is only supplied when specified on order and at an extra charge.

From the library of: Diamond Needle Corp

Parts Complete

FOR

No. 45K70 Machine

Cylinder Bed, Drop Feed, Needle Bar Cam, Compound Take-up, High Lift, Vibrating and Climbing Presser, Gas Heating Device for Hot Wax Stitching, for Saddlery Work, etc.

No.	Plate	
*94900	—	Arm with 446c, 82499 and 82549 ...
8582	1100	" Dowel Pin (2) ...
118e	1112	" Screw (3) ...
91755	1110	Arm Shaft ...
82499	997	" " Bushing (back) ...
82549	1103	" " " (front) ...
446c	1113	" " " Set Screw for 82499 ...
82400	1100	" " Oil Tube ...
144c	1112	" " Screw ...
82402	1107	Arm Side Cover ...
51224d	2622	" " " Thumb Screw ...
82403	1099	Arm Spool Pin ...
91749	1110	Balance Wheel (three-speeds) with two 434c ...
434c	1113	" " " Set Screw ...
*94901	—	Bed ...
94801	1057	Crank Connecting Rod with 94802, 94872 and two 158c ...
*94802	—	" " " Cap ...
94872	1742	" " " Oil Pad ...
158e	1112	" " " Screw ...
98627	1742	" " " Hinge Stud ...
98614	1742	" " " " Cotter Pin ...
1668c	1742	" " " " " Nut ...

No.	Plate	
94902	1106	Face Plate ...
SS45d	1112	" " Screw (top) ...
158c	1112	" " " (bottom) ...
82450	997	" " Thread Eyelet ...
SS50f	252	" " " " Screw ...
91781	997	" " " " Guard ...
201d	1112	" " " " Screw ...
91357	1100	" " " " Guide Wheel ...
52c	1112	" " " " " Hinge Screw ...
SS429c	1113	" " " " " " Reception Screw Stud ...
91782	1096	" " " " Retaining Spring ...
1323f	1114	" " " " " Adjusting Screw ...
91783	1096	" " " " " Plate ...
91784	1096	" " " " " Position Pin ...
91366	1098	" " " " Tension Protecting Bracket with 91367 ...
207f	1112	" " " " " " Screw ...
91367	1098	" " " " " " Steady Pin ...
94903	—	Face Plate, complete , Nos. SS50f, 52c, 201d, 207f, SS429c, 1323f, 82450, 91357, 91366, 91781 to 91784 and 94902 ...
94904	1108	Face Plate Swing Cover ...
94942	1098	" " " " Hinge Block (Steel) ...
94877	1098	" " " " " Pin ...
SS65d	1112	" " " " " Screw ...
82216	1098	" " " " " Steady Pin ...
94905	1103	" " " " " Retaining Spring ...
161e	1112	" " " " " " Screw ...
8800	1104	" " " " " " Washer ...
94906	—	Face Plate Swing Cover, complete , Nos. SS65d, 161e, 8800, 82216, 94877, 94904, 94905 and 94942 ...
3032	997	Feed Cam with 446c ...
446c	1113	" " " Set Screw ...
51265	1096	Feed Connecting Link ...
375c	1113	" " " " Hinge Screw (2) ...
1518c	1114	" " " " " Nut (2) ...
91576	1101	Feed Dog , for General work ...
91541	856	" " " for Angular Stitch work ...
91486	855	" " " for Bag Handle work ...
91543	857	" " " single row of teeth for stitching Rings into Golf Bags ...

from the library of: Diamond Needle Corp.

No.	Plate						
91160	849	Feed Dog Carrier
704c	1114	" " Screw
<i>NOTE.—No. 91576 is sent with this machine unless otherwise specified on order.</i>							
91161	881	Feed Forked Connection
375c	1113	" " " Hinge Screw
1518c	1114	" " " " Nut
82414	997	Feed Regulator
1128c	1114	" " Hinge Screw
SS115d	1112	" " Thumb Screw
*91162	—	Feed Rock Shaft
91163	881	" " " 91162 with 91165 and 91166
91565	—	" " " 91163 with 98674
91165	—	" " " Carrier Slide with 1259c
1259c	1114	" " " " " Set Screw
91166	1098	" " " " " Steady Pin
98674	997	" " " Crank with 156f and 1177c
SS517c	2622	" " " Clamping Screw
156f	1112	" " " " Position Screw
91490	1099	Guide
793d	1114	" Thumb Screw (2)
91611	—	Guide Holder
91603	—	" " Bracket
91217	1098	" " " Hinge Pin
91604	—	" " Hinge Lever
946f	1114	" " " " Screw
91612	1101	Guide Holder (Swing), complete, Nos. 946f, 91217, 91603, 91604 and 91611
SS39d	1112	" " Binding Screw
94995	2623	Heating Tube
91363	1100	" " Connecting Bracket (for arm, front)
91363	1100	" " " " (" " back)
180f	1112	" " " " Screw
94981	—	Heating Tube , 94995, with two each 180f and 91363
94985	—	Hot Wax Fittings , complete, Nos. SS39d, 94886, 94903, 94906 and 94981
560d	2622	Heating Tube Supply Control Screw
NN35d	1114	" " " " Wing Nut

No.	Plate						
94880	1110	Hot Wax Pot
94881	1107	" " " Bobbin Trough with two 193f
193f	1112	" " " " Binding Screw
89363	1100	" " " Tension Disc
*637e	1114	" " " " Screw Stud
33929	—	" " " " " " 637e with 1560d
1560d	1114	" " " " " " Thumb Nut
2103	1104	" " " " Spring
94882	1104	" " " " Thread Guide
704c	1114	" " " " " Screw
91529	1104	" " " Thread Eyelet (Rubber)
SS308c	1113	" " " " " Screw
82462	1104	" " " " " Washer
94883	1108	" " " " Guide Bracket
91357	1100	" " " " " Wheel
52c	1112	" " " " " " Screw
94884	—	" " " " " complete, Nos. 94883, three each 52c and 91357
793d	1114	" " " " " Bracket Binding Thumb Screw
94885	1104	" " " " Releasing Lever
90e	1112	" " " " " Hinge Screw
94886	—	Hot Wax Pot , complete, Nos. 90e, SS308c, 704c, 2103, 33929, 82462, 91529, 94880 to 94882, 94884, 94885, two each 793d and 89363
SS39d	1112	Hot Wax Pot Binding Screw
91739	—	Lifting Presser Plunger
8575	1104	" " " Position Pin
RR54	1114	" " " Roller
SS323f	1113	" " " " Screw Stud
91740	1096	Lifting Presser Plunger , complete, Nos. RR54, SS323f and 91739
91763	1105	Needle Bar
91764	997	" " Cam with SS202d and two 704e
SS202d	1112	" " " Adjusting Screw
704e	1114	" " " Clamping Screw
82419	1096	" " " Guide
158c	1112	" " " " Screw (2)
RR66	2622	" " " Roller and Screw Stud

No.	Plate							
82520	—	Needle Clamp
156f	1112	" " Screw
82521	1100	" " Thread Guide
50406d	1112	" " " " Screw
82522	1096	" " 82520 with 156f, 50406d, and 82521
98639	2001	Oscillating Rock Shaft with 98636, 98637, two each SS537e and 1698c
98642	1112	" " " Hinge Pin
1513j	1114	" " " " " Nut
SS531c	2001	" " " " " Screw Bearing
1513j	1114	" " " " " " " Nut
98636	2001	" " " Steel Plate (bottom)
98637	2001	" " " " " (top)
SS537e	—	" " " " " Binding Screw
1698c	—	" " " " " Lock Nut
98641	—	Oscillating Rock Shaft , complete, Nos. 1668c, 98614, 98627 and 98639
91171	881	Oscillating Shuttle Shaft
91172	849	" " " Crank with 453c and 1850
11663	1104	" " " " " Pin
1850	1114	" " " " " Roller and Stud
453c	1113	" " " " " Set Screw
94809	1105	Presser Bar (round)
91582	1107	" " (flat) with 91169
SS185f	1112	" " (") Adjusting Screw
NN35d	1114	" " (") " " Lock Nut
52f	1112	" " (") Hinge Screw
91583	1104	" " (") Locking Plate
SS353d	1113	" " (") " " Screw
91595	1107	" " (") Lower Guide Bracket with 157f and 91169
157f	2622	" " (") " " " Clamping Screw
91169	—	" " (") " " " Retaining Spring Pin
RR41	1114	" " (") " " " Roller Screw and Stud
91113	1104	" " (") Retaining Spring
91169	—	" " (") " " " Pin
91742	1098	Presser Bar Gripping Bracket
91743	1098	" " " " " Block
91744	1104	" " " " " Retaining Pin
91745	1098	" " " " " Grip Lever
430al	252	" " " " " " " Adjusting Screw
1520r	252	" " " " " " " " " " " Nut

No.	Plate							
91587	1098	Presser Bar Gripping Bracket Grip Lever Hinge Pin
91746	997	" " " " " Retaining Spring
1650c	2622	" " " " " " " Lock Nut
NN21d	2622	" " " " " " " " " Thumb Nut
91747	—	Presser Bar Gripping Bracket , complete, Nos. 430al, 1520r, 91587 and 91742 to 91745
91895	1099	Presser Bar Lifter
SS186d	1112	" " " " Hinge Screw
1518c	1114	" " " " " " Nut
91896	1103	" " Lifting Bracket with two 1259c
91696	1100	" " " " " Plate
190f	252	" " " " " Binding Screw
1259c	1114	" " " " " Set Screw
91911	—	" " " " " 94896, with 91696 and two 190f
91769	2621	" " " " " Cam
704c	1114	" " " " " Screw
SS355e	1113	" " " Screw Bushing
82430	1096	" " " Spring (spiral)
8627	881	" " " (flat) for Machine without Foot Lifter
91715	881	" " " (") " " fitted with Foot Lifter
1539d	1114	" " " (") Thumb Lock Nut
274d	1112	" " " (") " " Screw
91550	1100	Presser Foot (plain) with single toe serrated
91596	1100	" " (") " two toes serrated
94899	1100	" " with two plain toes for Rubber Heel work
91552	856	" " for Angular Stitch work
86142	855	" " " Bag Handle work
91554	857	" " stitching Rings into Golf Bags
50190d	1114	" " Thumb Screw
<i>NOTE. No. 94899 is sent with this machine unless otherwise specified on order.</i>								
95093	1694	Shuttle Bobbin
95094	1694	" Cylinder
91042	1694	" " Hinge Pin
91043	1694	" " Latch Spring
SS574d	2622	" " " " " Screw
98619	1694	" Frame
95095	1694	" Tension Spring
SS377f	1694	" " " Adjusting Screw
98622	1694	Shuttle (Cylinder), 2 $\frac{1}{8}$ " diam., complete, Nos. SS377f, SS574d 91042, 91043, 95093 to 95095 and 98619

From the files of: Digital Needle Corp

No.	Plate						
98612	1742	Shuttle Driver and Feed Raising Cam
11663	1104	" " Pin
<i>NOTE.—Shuttle Driver No. 98612 must be used in conjunction with Shuttle No. 98622 and vice versa. These new parts are not interchangeable with the old.</i>							
94912	1103	Shuttle Race (Cast Iron)
94913	1108	Shuttle Race Cover
94914	1104	" " " Hinge
94915	1098	" " " " Pin
94916	1104	" " " Spring
94917	1098	" " " " Position Pin
180f	1112	" " " " Screw
94894	---	Shuttle Race Cover , complete, Nos. 180f and 94913 to 94917
91430	849	Shuttle Race Ring
SS430e	1113	" " " Position Screw Stud (2)
94918	1098	" " Spring (2)
NN34d	1114	" " " Wing Nut (2)
94849	2621	Thread Take-up Cam with SS320c and SS370c
SS320c	1113	" " " Set Screw
SS370c	1113	" " " Timing Screw
94850	2621	" " " 94849 with 91769 and two 701c
91505	---	Thread Take-up Lever
SS22f	1112	" " " Hinge Screw
92814	999	" " " Roller
RR24	1114	" " " and Stud
1519e	252	" " " " " Nut
SS328e	1113	" " " " Screw
91507	1096	Thread Take-up Lever , complete, Nos. RR24, SS328e, 1519e, 91505 and 92814
91787	999	Thread Take-up Lever (Auxiliary)
SS381d	1113	" " " (") Hinge Screw
1620c	1114	" " " (") " " Nut
RR17	1114	" " " (") Roller and Screw Stud
91788	1098	" " " (") Thread Eyelet
92814	999	" " " (") " " Roller
1247f	1114	" " " (") " " " Screw
91789	---	Thread Take-up Lever (Auxiliary), complete, Nos. 1247f, 91787, 91788 and 92814

No.	Plate						
91601	1101	Throat Plate for 91576, for General Work
91557	856	" " " 91541, for Angular Stitch work
91508	855	" " " 91486, for Bag Handle work
91559	---	" " " 91543, for 91561
91560	---	" " " Raised Plate for 91561
190c	252	" " " " Screw for 91561
91561	857	" " complete, Nos. 91559, 91560 and two 190c, for stitching Rings into Golf Bags
180f	1112	" " " Screw (2)

NOTE. - No. 91601 is sent with this machine unless otherwise specified on order.

94919	---	Work Plate
SS39d	1112	" " " Screw

NOTE. No. 94919 is only supplied when specified on order and at an extra charge.

Accessories

No.	Plate	
95093	—	Bobbins (2)
51077c	849	Bolt with 1524c (3" x 1/4") (4)
6055	849	" Washer (4)
—	—	Instruction Book
1524c	—	Machine Bolt Nut
—	—	Needles (6)
120342	1600	Oiler
86611	1600	Screw Driver (large)
120378	—	" " (small)
86196	1104	Threading Hook for 45K66 and 45K70 Machines

Attachments

Attachment for Saddlery Work for No. 45K66 Machine

No.	Plate	
85749	175	Base
85750	175	" Spring
85751	175	" " Regulator with SS310d
SS310d	—	" " " Thumb Screw
207d	1112	" " Screw
85325	—	" " " Washer
85752	175	Binder only, complete, Nos. 207d, 85325 and 85749 to 85751
85822	175	Combination Guide
85823	175	" " Base
161d	1112	" " Screw
85514	—	" " " Washer
85824	175	Combination Guide, complete, Nos. 161d, 85514, 85822 and 85823
85825	175	Presser Foot (for Oval Traces)
85826	175	" " (" Sewing Rounds)
85753	175	" " (" Binding)
85827	175	" " (" General Work)
85828	175	Saddlery Attachment , complete, Nos. 85752, 85753 and 85824 to 85827

Attachment for Saddlery Work for Nos. 45K67 and 45K70 Machines

No.	Plate	
85749	176	Base
85750	176	" Spring
85751	176	" " Regulator with SS310d
SS310d	—	" " " Thumb Screw
207d	1112	" " Screw
85325	—	" " " Washer
85752	176	Binder only, complete, Nos. 207d, 85325 and 85749 to 85751
85822	176	Combination Guide
85823	176	" " Base
161d	1112	" " Screw
85514	—	" " " Washer
85824	176	Combination Guide, complete, Nos. 161d, 85514, 85822 and 85823
85535	176	Presser Foot
85829	176	Saddlery Attachment , complete, Nos. 85535, 85752 and 85842

Attachment for Stitching Bag Handles (Rope Inserted) for Nos. 45K67 and 45K70 Machines

No.	Plate	
86264	842	Feed Dog
86265	842	Guide
703d	842	" Thumb Screw
86266	842	" Spring
86267	842	Presser Foot
86268	842	Throat Plate
86269	842	" " Guide
793d	1114	" " " Thumb Screw
86270	842	Throat Plate 86268 with 86269 and two 793d
86271	842	Attachment , complete, Nos. 86264 to 86267, 86270 and two 703d

Binder (Adjustable) for Horse Rugs for Nos. 45K67 and 45K70 Machines

No.	Plate	
86209	845	Base and Folder with SS25
86210	845	" Guide Wire
50053d	2622	" " " Thumb Screw
SS25	—	" Screw Stud
86211	845	Guide (top)
NN19d	845	" Thumb Nut
85514	—	" " " Washer
86212	845	Binder only, complete, Nos. NN19d, 50053d, 85514 and 86209 to 86211
86278	845	Feed Dog
86207	845	Presser Foot
86280	845	Throat Plate
86282	845	Binder , complete, Nos. 86207, 86212, 86278 and 86280

Binder (Adjustable) for Leather Binding for Nos. 45K67 and 45K70 Machines

No.	Plate	
86202	844	Base
86203	844	Guide (top)
86204	—	" (bottom) with 1075e
1075e	2622	" (") Screw Stud
1536d	2622	" Regulating Thumb Nut
86205	844	Binder only, complete, Nos. 1536d and 86202 to 86204
86278	844	Feed Dog
86279	844	Presser Foot
86280	844	Throat Plate
86281	844	Binder , complete, Nos. 86205 and 86278 to 86280

Binder (Adjustable) for Leather and Motor Car Hood Binding for Nos. 45K67 and 45K70 Machines

No.	Plate	
86202	860	Base
86203	860	Guide (top)
86204	—	" (bottom) with 1075e
1075e	2622	" (") Screw Stud
1536d	2622	" Regulating Thumb Nut
86205	860	Binder only, complete, Nos. 1536d and 86202 to 86204
91552	860	Presser Foot
86284	860	Binder , complete, Nos. 86205 and 91552

Welting Attachment for Bags, Portmanteaux, etc., for Nos. 45K67 and 45K70 Machines

No.	Plate	
86138	837	Guide (plain)
86139	—	Base
86140	—	Adjusting Guide
233d	1112	" " Screw
86141	837	Welting Guide, complete, Nos. 233d, 86139 and 86140
86142	837	Presser Foot
86143	837	Welting Attachment , complete, Nos. 86138, 86141 and 86142

Welting Attachment (Adjustable) for Carriage Cushions for Nos. 45K67 and 45K70 Machines

No.	Plate	
86214	859	Welter Base Guide
86215	859	" Braid Guide with SS26
207d	1112	" " " Screw
85325	—	" " " " Washer
SS26	—	" " " " Stud
NN44d	859	" " " " " Thumb Nut
86216	859	" Cord Guide
449c	—	" " " Set Screw
86217	859	Welter only, complete, Nos. NN44d, 207d, 449c, 85325 and 86214 to 86216
86144	859	Presser Foot (Grooved for Cord)
86285	859	Welting Attachment , complete, Nos. 86144 and 86217

Welting Attachment (Adjustable) for Cord or without Cord Insertion for Portmanteaux, Leather Bags and Carriage Cushions, for Nos. 45K67 and 45K70 Machines

No.	Plate							
86214	846	Welter Base Guide
86215	846	" Braid Guide with SS26
207d	1112	" " " Screw
85325	—	" " " " Washer
SS26	—	" " " " Stud
NN44d	846	" " " " " Thumb Nut
86216	846	" Cord Guide
449c	—	" " " Set Screw
86217	846	Welter only, complete, Nos. NN44d, 207d, 449c, 85325 and 86214 to 86216
86278	846	Feed Dog
86207	846	Presser Foot
86219	846	" " (Grooved for Cord)
86280	846	Throat Plate
86283	846	Welting Attachment, complete, Nos. 86207, 86217, 86219, 86278 and 86280

Welting Attachment for Heavy Boots for Nos. 45K67 and 45K70 Machines

No.	Plate							
91552	860	Presser Foot
86135	860	Guide (plain)
86127	860	Welt Guide
86289	860	Welting Attachment, complete, Nos. 86127, 86135 and 91552

Welting Attachment for Leather Bags, Portmanteaux, etc., for Nos. 45K67 and 45K70 Machines

No.	Plate							
86286	859	Welt Guide
86287	859	" " Base
703d	859	" " Thumb Screw
91547	859	Presser Foot
86288	859	Welting Attachment, complete, Nos. 86286, 86287, 91547 and two 703d

Bobbin Winders

Bobbin Winder (Eccentric) for Nos. 45K66, and 45K70 Machines with Fast Wheel

No.	Plate							
80817	1129	Eccentric
SS169d	—	" Thumb Screw
82470	1129	Frame
SS56d	252	" Screw
5960	786	Friction Wheel (Leather)
5961	786	" " Washer
333r	786	" " " Screw
82471	1129	Spindle
5963	786	" Flange
82473	252	Bobbin Winder, complete, Nos. SS56d, 333r, SS169d, 5960, 5961, 5963, 80817, 82470 and 82471

Bobbin Winder (Friction) for No. 45K67 Machine with Fast Wheel

No.	Plate							
82527	838	Bracket
SS56d	252	" Screw
82528	838	Frame
32d	—	" Hinge Screw
5960	786	Friction Wheel (Leather)
5961	786	" " Washer
333r	786	" " " Screw
91446	838	Spindle
5963	786	" Flange
91447	838	Frame, complete, Nos. 333r, 5960, 5961, 5963, 82528 and 91446
82537	838	Spring
161d	1112	" Screw
82538	838	" " Washer
91448	1129	Bobbin Winder, complete, Nos. 32d, SS56d, 161d, 82527, 82537, 82538 and 91447

Bobbin Winder (Friction) for Nos. 45K66, 45K67 and 45K70 Machines when fitted with Driving Attachment

This Bobbin Winder is the same as 91448 with the following exceptions: -

No.	Plate							
91476	838	Bracket
91477	—	Bobbin Winder, complete, Nos. 32d, SS56d, 161d, 82537, 82538, 91447 and 91476

Bobbin Winder (Swinging Automatic, Right Hand) for 95093

No.	Plate	
27540	1487	Base
—	—	" Screw (Wood) 1" No. 7 R.H.
27302	1129	Frame
50356b	—	" Hinge Screw
1620j	1114	" " " Nut
27303	1487	" Spring
27541	1487	Pulley
98673	1487	Spindle
27306	1129	Spool Pin
27307	1129	" Stand
†27308	—	" " 27307 with 418d, 1562j, 2106, 10141, 27306, two each 2455 and Wood Screws 1" No. 10
95197	1487	Stop Latch
35d	1487	" " Hinge Screw
2455	—	Tension Disc
1562j	—	" Regulating Thumb Nut
418d	—	" Screw Stud
10141	—	" Spring
2106	—	Thread Guide
95198	—	Bobbin Winder, Nos. 35d, 1620j, 27302, 27303, 27540, 27541, 50356b, 95197, 98673 and two Wood Screws 1" No. 7 R.H.
95199	—	Bobbin Winder , complete, Nos. 27308 and 95198

†As No 27308 can be supplied either Plated or Japanned, it is necessary, when ordering, to state which is required

Foot Lifter

No.	Plate	
91716	—	Arm Lever
694d	861	" " Hinge Screw
91457	755	Foot Lever with 176c
91459	755	" " Bracket
17881	755	" " " Hinge Pin
—	—	" " " Screw (Wood) 1" No. 12
91458	755	" " Extension
176c	—	" " " Set Screw
98626	755	" " Spring
91454	—	Foot Lever only, complete, Nos. 17881, 91457 to 91459, 98626 and two Wood Screws, 1" No. 12
91453	755	Foot Lever Pitman Connecting Hook (7" long)
17877	755	" " " Rod (lower)
17878	755	" " " " (upper)
17879	755	" " " " Clamp with two 161d
161d	1112	" " " " " Screw
17880	755	Foot Lever Pitman Rod, complete, Nos. 17877 to 17879
91455	—	Foot Lever, complete, Nos. 17880 and 91454
91456	—	Foot Lifter , complete, Nos. 694d, 91453, 91455 and 91716

Singer Driving Attachment

No.	Plate	
91473	861	Balance Wheel with 434c, 451c, 91475 and four 402c ...
91474	861	" " Friction Pulley (two-speeds) with 448c and 91294
448c	—	" " " " Set Screw ...
91294	861	" " " " Centre Bearing ...
91475	861	" " " " Ring (Cardboard) ...
402c	861	" " " " " Screw ...
434c	1113	" " " " Set Screw (long) ...
451c	861	" " " " (short) ...
91296	755	Starting Lever ...
91297	755	" " Bracket ...
91298	—	" " " Hinge Pin ...
—	—	" " " Screw (Wood), 1½" No. 15 ...
91299	755	Starting Lever, Nos. 91296 to 91298 and three Wood Screws, 1½" No. 15 ...
17877	755	Starting Lever Pitman Rod (lower) ...
17878	755	" " " " (upper) ...
17879	755	" " " " Clamp with two 161d ...
161d	1112	" " " " " Screw ...
17880	755	Starting Lever Pitman Rod, complete, Nos. 17877 to 17879 ...
91460	—	Starting Lever and Pitman, complete, Nos. 17880 and 91299 ...
84275	—	Grooved Shaft Pulley, 10" diam., with two 597c ...
597c	2622	" " " " Clamping Screw ...
91301	861	Lever with 7958 and 91306 ...
91302	861	" Bracket ...
SS38c	861	" " Screw ...
91303	861	" Centre Plug (Wood) ...
427c	861	" " " Adjusting Screw ...
1508e	861	" " " " " Nut ...
91306	—	" Friction Pad (Leather) ...
693d	861	" Hinge Screw ...
NN28c	861	" " " Nut ...
91307	861	" Spring ...
161d	1112	" " Screw ...
7958	—	" " " Pin ...
91309	—	Lever, complete, Nos. NN28c, 161d, 427c, 693d, 1508e, 91301 to 91303, 91307 and two SS38c ...
91478	—	Driving Attachment , complete, Nos. 84275, 91309, 91460, 91473 and 91474 ...

Obsolete Parts

No.	Plate	
91025	1103	Oscillating Rock Shaft Steel Plate ...
91026	1103	" " " " " " ...
94972	—	" " " " " (top) ...
91440	849	" " " " with 91025, 94972 and two 91026 ...
98617	1700	" " " " with 91025, 94972 and two 91026 ...
98613	1700	Crank Connecting Rod Hinge Stud ...
98618	—	Oscillating Rock Shaft, complete, Nos. 1668c, 98613, 98614 and 98617 ...
98630	1742	Oscillating Rock Shaft with 91025, 94972 and two 91026 ...
98631	—	" " " complete, Nos. 1668c, 98614, 98627 and 98630 ...

For Complete Shuttle No. 91774

No.	Plate	
91774	999	Shuttle Cylinder ...
91772	999	" Frame ...
91795	999	" Tension Spring ...

For Complete Shuttle No. 95084

No.	Plate	
95080	—	Shuttle Cylinder ...
95081	—	" " Latch Spring ...
220f	—	" " " " Screw ...
95082	—	" Frame ...
95083	—	" Tension Spring ...
95186	1467	" Frame ...
95096	—	" " 2½" diam., complete, Nos. SS377f, 574d, 91042, 91043, 95093 to 95095 and 95186 ...
91748	999	Shuttle Driver and Feed Raising Cam ...

NUMERICAL LIST OF PARTS

No.	Plate	
RR17	1114	Thread Take-up Lever (Auxiliary) Roller and Screw Stud
NN19d	845	Binder Guide Thumb Nut for 86212 ...
NN21d	2622	Presser Bar Gripping Bracket Grip Retaining Spring Thumb Nut, for 45K67 and 45K70 Machines
SS22f	1112	Thread Take-up Lever Hinge Screw ...
RR24	1114	Thread Take-up Lever Roller and Stud for 91507 and 94889
RR25	252	Roller ($1\frac{1}{2}$ " diam. \times $\frac{5}{16}$ " face) with 378c and 1520r for 82435
SS25		Binder Base Screw Stud for 86209 ...
SS26		Welting Attachment Welter Braid Guide Screw Stud for 86215 ...
NN28c	861	Driving Attachment Lever Hinge Screw Nut for 91309
32d		Bobbin Winder Frame Hinge Screw for 91448 and 91477
NN34d	1114	Shuttle Race Spring Wing Nut for 45K70 Machine
35d	1487	Bobbin Winder Stop Latch Hinge Screw for 95198
NN35d	1114	Heating Tube Supply Control Screw Wing Nut
NN35d	1114	Presser Bar (flat) Adjusting Screw Lock Nut for 45K67 and 45K70 Machines ...
SS38c	861	Driving Attachment Lever Bracket Screw for 91309
SS39d	1112	Guide Holder Binding Screw
SS39d	1112	Hot Wax Pot Binding Screw for 94982 and 94985
SS39d	1112	Work Plate Screw
RR41	1114	Presser Bar (flat) Lower Guide Bracket Roller Screw and Stud for 45K67 and 45K70 Machines
SS42f	1112	Oil Box Stud Screw Set Screw for 91797 ...
NN44d	859	Welting Attachment Welter Braid Guide Screw Stud Thumb Nut for 86217 ...

No.	Plate	
SS45d	1112	Face Plate Screw (top)
SS50c	252	Roller Arm Lock Spring Screw for 82435 ...
SS50f	262	Face Plate Thread Eyelet Screw for 94874, 94893 and 94903
SS50f	252	Oil Box Oil Pad Screw for 91797
52c	1112	Face Plate Thread Guide Wheel Hinge Screw for 94874 and 94903
52c	1112	Hot Wax Pot Thread Guide Bracket Wheel Screw for 94884
52f	1112	Presser Bar (flat) Hinge Screw for 45K67 and 45K70 Machines
RR54	1114	Lifting Presser Plunger Roller for 91740 ...
SS56d	252	Bobbin Winder Bracket Screw for 91448 and 91477
SS56d	252	Bobbin Winder Frame Screw for 82473 ...
SS65d	1112	Face Plate Swing Cover Hinge Block Screw for 94878 and 94906
SS65f	1112	Presser Foot Screw for 45K66 Machine ...
RR66	2622	Needle Bar Cam Roller and Screw Stud ...
90e	1112	Hot Wax Pot Thread Releasing Lever Hinge Screw for 94886
SS115d	1112	Feed Regulator Thumb Screw
118e	1112	Arm Screw
144c	1112	Arm Shaft Screw
156f	1112	Feed Rock Shaft Crank Position Screw for 98674
156f	1112	Needle Clamp Screw for 82522
157f	2622	Presser Bar (flat) Lower Guide Bracket Clamping Screw for 91595
158c	1112	Face Plate Screw (bottom)
158c	1112	Needle Bar Cam Guide Screw
158e	1112	Crank Connecting Rod Cap Screw for 94801
161d	1112	Bobbin Winder Spring Screw for 91448 and 91477
161d	1112	Driving Attachment Lever Spring Screw for 91309
161d	1112	Driving Attachment Starting Lever Pitman Rod Clamp Screw for 17879
161d	1112	Foot Lifter Foot Lever Pitman Rod Clamp Screw for 17879
161d	1112	Saddlery Attachment Combination Guide Screw for 85824
161e	1112	Face Plate Swing Cover Retaining Spring Screw for 94906
176c	—	Foot Lifter Foot Lever Extension Set Screw for 91457

No.	Plate	
180f	1112	Heating Tube Connecting Bracket Screw for 94979 and 94981
180f	1112	Heating Tube Lower Flame Guard Plate Screw for 94979
180f	1112	Shuttle Race Cover Spring Screw for 94894
180f	1112	Throat Plate Screw
SS185f	1112	Presser Bar (flat) Adjusting Screw for 45K67 and 45K70 Machines
SS186d	1112	Presser Bar Lifter Hinge Screw
190c	252	Throat Plate Raised Plate Screw for 91561
190f	252	Presser Bar Lifting Bracket Plate Binding Screw for 94898 and 94911
190f	252	Presser Bar Lifting Bracket Tension Release Binding Screw for 94898
193f	1112	Hot Wax Pot Bobbin Trough Binding Screw for 94881
201d	1112	Face Plate Thread Guard Screw for 94874, 94893 and 94903
SS202d	1112	Needle Bar Cam Adjusting Screw for 91764
207d	1112	Binder Base Spring Screw for 85752 ...
207f	1112	Face Plate Thread Tension Protecting Bracket Screw for 94874 and 94903
207d	1112	Welting Attachment Welter Braid Guide Screw for 86217
SS218d	1112	Shuttle Race Cap Spring Screw for 45K66 and 45K67 Machines
219f	1112	Face Plate Swing Cover Retaining Spring Screw for 94878
219f	1112	Oil Box Cover Latch Spring Screw for 91797
220f	—	Shuttle Cylinder Latch Spring Screw for 95084 (Obsolete)
233d	1112	Welting Guide Adjusting Guide Screw for 86141
274d	1112	Presser Bar Spring (flat) Thumb Screw for 45K67 and 45K70 Machines
SS308c	1113	Hot Wax Pot Thread Eyelet Screw for 94886
SS310d	—	Binder Base Spring Regulator Thumb Screw for 85751
313c	252	Roller Arm Screw Centre for 82435 ...
SS316d	1113	Presser Bar Screw Bushing for 45K66 Machine
SS318d	849	Shuttle Race Ring Position Screw Stud for 45K66 and 45K67 Machines
SS320c	1113	Thread Take-up Cam Set Screw for 94849 and 94852
SS323f	1113	Lifting Presser Plunger Roller Screw Stud for 91740

No.	Plate	
SS328e	1113	Thread Take-up Lever Roller Screw for 91507 and 94889
SS329c	1113	Roller Arm Bracket Clamping Screw for 82435
333r	786	Bobbin Winder Friction Wheel Washer Screw for 82473 and 91447
SS353d	1113	Presser Bar (flat) Locking Plate Screw for 45K67 and 45K70 Machines
SS355e	1113	Presser Bar Screw Bushing for 45K67 and 45K70 Machines
SS370c	1113	Thread Take-up Cam Timing Screw for 94849 and 94852
375c	1113	Feed Connecting Link Hinge Screw
375c	1113	Feed Forked Connection Hinge Screw
SS377f	1113	Shuttle Tension Spring Adjusting Screw for 91774, 95084, 95096 and 98622
378c	252	Roller Bearing Screw for RR25
SS381d	1113	Thread Take-up Lever (Auxiliary) Hinge Screw
SS395f	1113	Oil Box Stud Screw for 45K67 Machine
402e	861	Driving Attachment Balance Wheel Friction Pulley Ring Screw for 91473
*413e	1113	Face Plate Thread Retainer Screw Stud for 33892
418d	—	Spool Stand Tension Screw Stud for 27308
427c	861	Driving Attachment Lever Centre Plug Adjusting Screw for 91309
SS429c	1113	Face Plate Thread Guide Wheel Hinge Screw Reception Screw Stud for 94874 and 94903
430al	252	Presser Bar Gripping Bracket Grip Lever Adjusting Screw for 91747
430al	252	Roller Arm Bracket Adjusting Screw for 82435
SS430e	1113	Shuttle Race Ring Position Screw Stud for 45K70 Machine
434c	1113	Balance Wheel Set Screw for 91749
434c	1113	Driving Attachment Balance Wheel Set Screw (long) for 91473
SS442c	2622	Presser Bar Lifting Bracket Set Screw (side) for 91767
446c	1113	Arm Shaft Bushing Set Screw for 91754, 94870 and 94900
446c	1113	Feed Cam Set Screw for 3032
448c	—	Driving Attachment Balance Wheel Friction Pulley Set Screw for 91474
449c	—	Welting Attachment Welter Cord Guide Set Screw for 86217

No.	Plate	
451c	861	Driving Attachment Balance Wheel Set Screw (short) for 91473
453c	1113	Oscillating Shuttle Shaft Crank Set Screw for 91172
SS469d	—	Bobbin Winder Eccentric Thumb Screw for 82473
SS517c	2622	Feed Rock Shaft Crank Clamping Screw for 98674
SS531c	2001	Oscillating Rock Shaft Hinge Pin Screw Bearing
SS537e	2001	Oscillating Rock Shaft Steel Plate Binding Screw for 98639
560d	2622	Heating Tube Supply Control Screw
SS574d	2622	Shuttle Cylinder Latch Spring Screw for 91774, 95096 and 98622
597c	2622	Driving Attachment Grooved Shaft Pulley Clamping Screw for 84275
*637e	1114	Hot Wax Pot Tension Screw Stud for 33929
693d	861	Driving Attachment Lever Hinge Screw for 91309
694d	861	Foot Lifter Arm Lever Hinge Screw for 91456
703d	842	Guide Thumb Screw for 86271
703d	859	Welting Attachment Welt Guide Thumb Screw for 86288
704c	1114	Feed Dog Screw
704c	1114	Hot Wax Pot Tension Thread Guide Screw for 94886
704c	1114	Presser Bar Lifting Cam Screw for 94850
704c	1114	Needle Bar Cam Clamping Screw for 91764
793d	1114	Guide Thumb Screw
793d	1114	Hot Wax Pot Thread Guide Bracket Binding Thumb Screw for 94886
793d	1114	Throat Plate Guide Thumb Screw for 86270
946f	1114	Guide Holder Hinge Lever Screw for 91612
1075e	2622	Binder Guide (bottom) Screw Stud for 86204
1128c	1114	Feed Regulator Hinge Screw
1247f	1114	Thread Take-up Lever (Auxiliary) Thread Eyelet Roller Screw for 91789
1259c	1114	Feed Rock Shaft Carrier Slide Set Screw for 91165
1259c	1114	Presser Bar Lifting Bracket Set Screw for 94896
1259c	1114	Presser Bar Lifting Bracket Set Screw (front) for 91767
1323f	1114	Face Plate Thread Retaining Spring Adjusting Screw for 94874, 94893 and 94903

No.	Plate	
1508c	861	Driving Attachment Lever Centre Plug Adjusting Screw Nut for 91309 ...
1513j	1114	Oscillating Rock Shaft Hinge Pin Nut ...
1513j	1114	Oscillating Rock Shaft Hinge Pin Screw Bearing Nut ...
1518c	1114	Feed Connecting Link Hinge Screw Nut ...
1518c	1114	Feed Forked Connection Hinge Screw Nut ...
1518e	1114	Presser Bar Lifter Hinge Screw Nut ...
1519e	252	Roller Arm Screw Centre Nut for 82435 ...
1519e	252	Thread Take-up Lever Roller and Stud Nut for 91507 and 94889 ...
1520r	252	Roller Arm Bracket Adjusting Screw Nut for 82435 ...
1520r	252	Roller Bearing Screw Nut for RR25 ...
1520r	252	Presser Bar Gripping Bracket Grip Lever Adjusting Screw Nut for 91747 ...
1524e	—	Machine Bolt Nut for 51077c ...
1536d	2622	Binder Guide Regulating Thumb Nut for 86205 ...
1539d	1114	Presser Bar Spring (flat) Thumb Lock Nut for 45K67 and 45K70 Machines ...
1560d	1114	Face Plate Thread Retainer Screw Stud Regulating Thumb Nut for 33892 ...
1560d	1114	Hot Wax Pot Tension Screw Stud Thumb Nut for 33929 ...
1562j	—	Spool Stand Tension Regulating Thumb Nut for 27308 ...
1620c	1114	Thread Take-up Lever (Auxiliary) Hinge Screw Nut ...
1620j	1114	Bobbin Winder Frame Hinge Screw Nut for 95198 ...
1650c	2622	Presser Bar Gripping Bracket Grip Retaining Spring Lock Nut for 45K67 and 45K70 Machines ...
1668c	1742	Crank Connecting Rod Hinge Stud Cotter Pin Nut for 98618, 98631 and 98641 ...
1698c	2001	Oscillating Rock Shaft Steel Plate Binding Screw Lock Nut for 98639 ...
1850	1114	Oscillating Shuttle Shaft Crank Roller and Stud for 91172 ...
2103	1104	Hot Wax Pot Tension Spring for 94886 ...
2106	—	Spool Stand Thread Guide for 27308 ...
2455	—	Spool Stand Tension Disc for 27308 ...
3032	997	Feed Cam with 446c ...
5960	786	Bobbin Winder Friction Wheel (Leather) for 82473 and 91447 ...

No.	Plate	
5961	786	Bobbin Winder Friction Wheel Washer for 82473 and 91447 ...
5963	786	Bobbin Winder Spindle Flange for 82473 and 91447 ...
6055	849	Bolt Washer ... (Accessories)
7958	—	Driving Attachment Lever Spring Screw Pin for 91301 ...
8575	1104	Lifting Presser Plunger Position Pin for 45K67 and 45K70 Machines ...
8582	1100	Arm Dowel Pin ...
8627	881	Presser Bar Spring (flat) for 45K67 and 45K70 Machines ...
8800	1104	Face Plate Swing Cover Retaining Spring Screw Washer for 94906 ...
10141	—	Spool Stand Tension Spring for 27308 ...
11663	1104	Oscillating Shuttle Shaft Crank Pin ...
11663	1104	Shuttle Driver Pin ...
17877	755	Driving Attachment Starting Lever Pitman Rod (lower) for 17880 ...
17877	755	Foot Lifter Foot Lever Pitman Rod (lower) for 17880 ...
17878	755	Driving Attachment Starting Lever Pitman Rod (upper) for 17880 ...
17878	755	Foot Lifter Foot Lever Pitman Rod (upper) for 17880 ...
17879	755	Driving Attachment Starting Lever Pitman Rod Clamp with two 161d for 17880 ...
17879	755	Foot Lifter Foot Lever Pitman Rod Clamp with two 161d for 17880 ...
17880	755	Driving Attachment Starting Lever Pitman Rod, complete, Nos. 17877 to 17879 for 91460 ...
17880	755	Foot Lifter Foot Lever Pitman Rod, complete, Nos. 17877 to 17879, for 91455 ...
17881	755	Foot Lifter Foot Lever Bracket Hinge Pin for 91454 ...
27302	1129	Bobbin Winder Frame for 95198 ...
27303	1487	Bobbin Winder Frame Spring for 95198 ...
27306	1129	Spool Stand Spool Pin for 27308 ...
27307	1129	Spool Stand for 27308 ...
27308	—	Bobbin Winder Spool Stand 27307 with 418d, 1562j, 2106, 10141, 27306, two 2455, and two Wood Screws, 1" No. 10, for 95199 ...
27540	1487	Bobbin Winder Base for 95198 ...
27541	1487	Bobbin Winder Pulley for 95198 ...
33892	—	Face Plate Thread Retainer Screw Stud 413c with 1560d, for 94892 ...

From the library of: Darmond Neede Centre

No.	Plate	
33929	---	Hot Wax Pot Tension Screw Stud 637e with 1560d, for 94886
50053d	2622	Binder Base Guide Wire Thumb Screw for 86212
50356b	1487	Bobbin Winder Frame Hinge Screw for 95198
50406d	1112	Needle Clamp Thread Guide Screw for 82522
50190d	2622	Presser Foot Thumb Screw
51077e	849	Bolt with 1524e (3" x 1/4") (Accessories)
51224d	2622	Arm Side Cover Thumb Screw, for 45K66, 45K67 and 45K70 Machines
52165	1096	Feed Connecting Link
80106	1104	Face Plate Swing Cover Retaining Spring for 94878
80106	1104	Oil Box Cover Latch Spring for 91797
80817	1129	Bobbin Winder Eccentric for 82473
82216	1098	Face Plate Swing Cover Hinge Block Steady Pin for 94878 and 94906
82400	1100	Arm Shaft Oil Tube
82402	1107	Arm Side Cover for 45K66, 45K67 and 45K70 Machines
82403	786	Arm Spool Pin
82414	997	Feed Regulator
82419	1096	Needle Bar Cam Guide
82426	1105	Presser Bar (with squared end) for 45K66 Machine
82429	1099	Presser Bar Lifter for 45K66 Machine
82430	1096	Presser Bar Spring (spiral)
82432	252	Roller Arm for 82435
82433	252	Roller Arm Bracket for 82435
82434	252	Roller Arm Lock Spring for 82435
82435	252	Roller Presser, complete (1 1/2" x 5/16"), Nos. RR25, SS50c, SS329c, 430a1, 1520r, 82432 to 82434, two each 313c and 1519e, for 45K66 Machine
82450	997	Face Plate Thread Eyelet for 94874, 94893 and 94903
82459	---	Oil Box Cover for 91797
82460	1103	Oil Box Cover Hinge Pin for 91797
82462	1104	Face Plate Swing Cover Retaining Spring Screw Washer for 94878
82462	1104	Hot Wax Pot Thread Eyelet Screw Washer for 94886
82462	1104	Oil Box Cover Latch Spring Screw Washer for 91797
82462	1104	Oil Box Oil Pad Screw Washer for 91797
82463	---	Oil Box Oil Pad (Cloth) for 91797
82470	1129	Bobbin Winder Frame for 82473

No.	Plate	
82471	1129	Bobbin Winder Spindle for 82473
82473	252	Bobbin Winder (Eccentric), complete, Nos. SS56d, 333r, SS469d, 5960, 5961, 5963, 80817, 82470 and 82471 for 45K66 and 45K70 Machines with Fast Wheels
82499	997	Arm Shaft Bushing (back) for 91754, 94870 and 94900
82520	---	Needle Clamp for 82522
82521	1100	Needle Clamp Thread Guide for 82522
82522	1096	Needle Clamp 82520 with 156f, 50406d, and 82521
82527	838	Bobbin Winder Bracket for 91448
82528	838	Bobbin Winder Frame for 91447
82537	838	Bobbin Winder Spring for 91448 and 91477
82538	838	Bobbin Winder Spring Screw Washer for 91448 and 91477
82549	1103	Arm Shaft Bushing (front) for 91754, 94870 and 94900
84275	---	Driving Attachment Shaft Pulley (sectional grooved) 10" diam., with two 597c for 91478
85325	---	Binder Base Spring Screw Washer for 85752
85325	---	Wetting Attachment Welter Braid Guide Screw Washer for 86217
85514	---	Binder Guide Thumb Nut Washer for 86212
85514	---	Saddlery Attachment Combination Guide Screw Washer for 85824
85535	176	Saddlery Attachment Presser Foot for 85829
85749	176	Binder Base for 85752
85750	176	Binder Base Spring for 85752
85751	176	Binder Base Spring Regulator with SS310d for 85752
85752	176	Binder only, complete, Nos. 207d, 85325 and 85749 to 85751, for 85828 and 85829
85753	175	Saddlery Attachment Presser Foot (for Binding) for 85828
85822	176	Saddlery Attachment Combination Guide for 85824
85823	176	Saddlery Attachment Combination Guide Base for 85824
85824	176	Saddlery Attachment Combination Guide, complete, Nos. 161d, 85514, 85822 and 85823, for 85828 and 85829
85825	175	Saddlery Attachment Presser Foot (for Oval Traces) for 85828
85826	175	Saddlery Attachment Presser Foot (for Sewing Rounds) for 85828

From the library of Diamond Needle Corp.

No.	Plate	
85827	175	Presser Foot (Leather) for 45K66 Machine
85827	175	Saddlery Attachment Presser Foot (for General Work) for 85828
85828	175	Saddlery Attachment, complete, Nos. 85752, 85753 and 85824 to 85827, for 45K66 Machine
85829	176	Saddlery Attachment, complete, Nos. 85535, 85752 and 85824, for 45K67 and 45K70 Machines
86127	860	Welting Attachment Welt Guide for 86289
86135	860	Welting Attachment Guide (plain) for 86289
86138	837	Welting Attachment Guide (plain) for 86143
86139	—	Welting Guide Base for 86141
86140	—	Welting Guide Adjusting Guide for 86141
86141	837	Welting Attachment Welting Guide, complete, Nos. 233d, 86139 and 86140, for 86143
86142	855	Presser Foot for Bag Handle work, for 45K67 and 45K70 Machines
86142	837	Welting Attachment Presser Foot for 86143
86143	837	Welting Attachment, for Bags, Portmanteaux etc., complete, Nos. 86138, 86141 and 86142, for 45K67 and 45K70 Machines
86144	859	Welting Attachment Presser Foot (Grooved for Cord) for 86285
86196	1104	Threading Hook for 45K66 and 45K70 Machines (Accessories)
86202	860	Binder Base for 86205
86203	860	Binder Guide (top) for 86205
86204	—	Binder Guide (bottom) with 1075e for 86205
86205	860	Binder only, complete, Nos. 1536d and 86202 to 86204 for 86281 and 86284
86207	845	Binder Presser Foot for 86282
86207	846	Welting Attachment Presser Foot for 86283
86209	845	Binder Base and Folder with SS25 for 86212
86210	845	Binder Base Guide Wire for 86212
86211	845	Binder Guide (top) for 86212
86212	845	Binder only, complete, Nos. NN19d, 50053d, 85514, and 86209 to 86211, for 86282
86214	859	Welting Attachment Welter Base Guide for 86217
86215	859	Welting Attachment Welter Braid Guide with SS26 for 86217
86216	859	Welting Attachment Welter Cord Guide for 86217

No.	Plate	
86217	859	Welting Attachment Welter only, complete, Nos. NN44d, 207d, 449c, 85325 and 86214 to 86216, for 86283 and 86285
86219	846	Welting Attachment Presser Foot (Grooved for Cord) for 86283
86264	842	Feed Dog for 86271
86265	842	Guide for 86271
86266	842	Guide Spring for 86271
86267	842	Presser Foot for 86271
86268	842	Throat Plate for 86270
86269	842	Throat Plate Guide for 86270
86270	842	Throat Plate 86268 with 86269 and two 793d for 86271
86271	842	Attachment for Stitching Bag Handles (Rope Inserted), complete, Nos. 86264 to 86267, 86270 and two 703d, for 45K67 and 45K70 Machines
86278	844	Binder Feed Dog for 86281 and 86282
86278	846	Welting Attachment Feed Dog for 86283
86279	844	Binder Presser Foot for 86281
86280	844	Binder Throat Plate for 86281 and 86282
86280	846	Welting Attachment Throat Plate for 86283
86281	844	Binder (adjustable), for Leather Binding, complete, Nos. 86205 and 86278 to 86280, for 45K67 and 45K70 Machines
86282	845	Binder (adjustable), for Horse Rugs, complete, Nos. 86207, 86212, 86278 and 86280, for 45K67 and 45K70 Machines
86283	846	Welting Attachment (adjustable), for Cord or without Cord Insertion for Portmanteaux, Leather Bags and Carriage Cushions, complete, Nos. 86207, 86217, 86219, 86278 and 86280, for 45K67 and 45K70 Machines
86284	860	Binder (adjustable), for Leather and Motor Car Hood Binding, complete, Nos. 86205 and 91552, for 45K67 and 45K70 Machines
86285	859	Welting Attachment (adjustable), for Carriage Cushions, complete, Nos. 86144 and 86217, for 45K67 and 45K70 Machines
86286	859	Welting Attachment Welt Guide for 86288
86287	859	Welting Attachment Welt Guide Base for 86288
86288	859	Welting Attachment, for Leather Bags, Portmanteaux, etc., complete, Nos. 86286, 86287, 91547 and two 703d, for 45K67 and 45K70 Machines

No.	Plate	
86289	860	Welting Attachment for Heavy Boots, complete, Nos. 86127, 86135 and 91552, for 45K67 and 45K70 Machines ...
86611	1600	Screw Driver (large) ... (Accessories)
89363	1100	Face Plate Thread Retainer Disc for 94892
89363	1100	Hot Wax Pot Tension Disc for 94886 ...
91021	1105	Needle Bar for 45K66 Machine ...
91025	1103	Oscillating Rock Shaft Steel Plate for 91440, 98617 and 98630 ... (Obsolete)
91026	1103	Oscillating Rock Shaft Steel Plate for 91440, 98617 and 98630 ... (Obsolete)
91033	1097	Presser Foot (Cloth) for 45K66 Machine ...
91034	1097	Presser Foot (Leather) for 45K66 Machine ...
91042	1694	Shuttle Cylinder Hinge Pin for 91774, 95084, 95096 and 98622 ...
91043	1694	Shuttle Cylinder Latch Spring for 91774, 95084, 95096 and 98622 ...
91113	1104	Presser Bar (flat) Retaining Spring for 45K67 and 45K70 Machines ...
91160	849	Feed Dog Carrier ...
91161	881	Feed Forked Connection ...
*91162	—	Feed Rock Shaft for 91163 ...
91163	881	Feed Rock Shaft 91162 with 91165 and 91166 for 91565 ...
91165	—	Feed Rock Shaft Carrier Slide with 1259c for 91163 ...
91166	1098	Feed Rock Shaft Carrier Slide Steady Pin for 91163 ...
91169	1103	Presser Bar (flat) Lower Guide Bracket Retaining Spring Pin for 91595 ...
91169	1103	Presser Bar (flat) Retaining Spring Pin for 91582 ...
91171	881	Oscillating Shuttle Shaft ...
91172	849	Oscillating Shuttle Shaft Crank with 453c and 1850 ...
91217	1098	Guide Holder Bracket Hinge Pin for 91612
91294	861	Driving Attachment Balance Wheel Friction Pulley Centre Bearing for 91474 ...
91296	755	Driving Attachment Starting Lever for 91299
91297	755	Driving Attachment Starting Lever Bracket for 91299 ...
91298	—	Driving Attachment Starting Lever Bracket Hinge Pin for 91299 ...
91299	755	Driving Attachment Starting Lever Nos. 91296 to 91298 and three Wood Screws, 1 1/4" No. 15, for 91460 ...

No.	Plate	
91301	861	Driving Attachment Lever with 7958 and 91306 for 91309 ...
91302	861	Driving Attachment Lever Bracket for 91309
91303	861	Driving Attachment Lever Centre Plug (Wood) for 91309 ...
91306	—	Driving Attachment Lever Friction Pad (Leather) for 91301 ...
91307	861	Driving Attachment Lever Spring for 91309
91309	—	Driving Attachment Lever, complete, Nos. NN28c, 161d, 427c, 693d, 1508e, 91301 to 91303, 91307 and two SS38c for 91478
91315	849	Shuttle Race Cap Spring for 45K66 and 45K67 Machines ...
91357	1100	Face Plate Thread Guide Wheel for 94874 and 94903 ...
91357	1100	Hot Wax Pot Thread Guide Bracket Wheel for 94884 ...
91363	1100	Heating Tube Connecting Bracket (for arm front) for 94979 and 94981 ...
91363	1100	Heating Tube Connecting Bracket (for arm back), for 94979 and 94981 ...
91366	1098	Face Plate Thread Tension Protecting Bracket with 91367 for 94874 and 94903
91367	1098	Face Plate Thread Tension Protecting Bracket Steady Pin for 91366 ...
91430	849	Shuttle Race Ring ...
91440	849	Oscillating Rock Shaft with 91025, 94972 and two 91026 ... (Obsolete)
91446	838	Bobbin Winder Spindle for 91447 ...
91447	838	Bobbin Winder Frame, complete, Nos. 333r, 5960, 5961, 5963, 82528 and 91446, for 91448 and 91477 ...
91448	1129	Bobbin Winder (friction), complete, Nos. 32d, SS56d, 161d, 82527, 82537, 82538 and 91447, for 45K67 Machine with Fast Wheel ...
91451	827	Shuttle Race (Cast Iron) for 45K66 and 45K67 Machines ...
91452	827	Shuttle Race Cover for 45K66 and 45K67 Machines ...
91453	755	Foot Lifter Foot Lever Pitman Connecting Hook (7" long) for 91456 ...
91454	—	Foot Lifter Foot Lever only, complete, Nos. 17881, 91457 to 91459, 98626 and two Wood Screws 1" No. 12 for 91455 ...
91455	—	Foot Lifter Foot Lever, complete, Nos. 17880 and 91454, for 91456 ...

No.	Plate	
91456	—	Foot Lifter, complete, Nos. 694d, 91453, 91455 and 91716
91457	755	Foot Lifter Foot Lever with 176c for 91454
91458	755	Foot Lifter Foot Lever Extension for 91454
91459	755	Foot Lifter Foot Lever Bracket for 91454 ...
91460	—	Driving Attachment Starting Lever and Pitman, complete, Nos. 17880 and 91299, for 91478
*91463	—	Bed for 45K67 Machine
91473	861	Driving Attachment Balance Wheel with 434c, 451c, 91475 and four 402c, for 91478
91474	861	Driving Attachment Balance Wheel Friction Pulley (two-speeds) with 448c and 91294, for 91478
91475	861	Driving Attachment Balance Wheel Friction Pulley Ring (Cardboard) for 91473 ...
91476	838	Bobbin Winder Bracket for 91477 ...
91477	—	Bobbin Winder (friction), complete, Nos. 32d, SS56d, 161d, 82537, 82538, 91447 and 91476, for 45K66, 45K67 and 45K70 Machines when fitted with Driving Attachment
91478	—	Driving Attachment, complete, Nos. 84275, 91309, 91460, 91473 and 91474
91486	855	Feed Dog for Bag Handle work for 45K67 and 45K70 Machines
91490	1099	Guide
91505	—	Thread Take-up Lever for 91507
91507	1096	Thread Take-up Lever, complete, Nos. RR24, SS328e, 1519c, 91505 and 92814, for 45K67 and 45K70 Machines
91508	855	Throat Plate for 91486, for Bag Handle work, for 45K67 and 45K70 Machines ...
91529	1104	Hot Wax Pot Thread Eyelet (Rubber) for 94886
91532	1100	Heating Tube Connecting Bracket (for Bed) for 94979
91533b	1107	Heating Tube Lower Flame Guard Plate for 94979
91541	856	Feed Dog for Angular Stitch work for 45K67 and 45K70 Machines
91543	857	Feed Dog, single row of teeth for stitching Rings into Golf Bags, for 45K67 and 45K70 Machines
91547	859	Welting Attachment Presser Foot for 86288
91550	1100	Presser Foot (plain), with single toe serrated, for 45K67 and 45K70 Machines ...

No.	Plate	
91552	860	Binder Presser Foot for 86284
91552	856	Presser Foot for Angular Stitch work for 45K67 and 45K70 Machines
91552	860	Welting Attachment Presser Foot for 86289
91554	857	Presser Foot for Stitching Rings into Golf Bags for 45K67 and 45K70 Machines ...
91557	856	Throat Plate for 91541 for Angular Stitch work for 45K67 and 45K70 Machines ...
91559	—	Throat Plate for 91543 for 91561
91560	—	Throat Plate Raised Plate for 91561 ...
91561	857	Throat Plate, complete, Nos. 91559, 91560 and two 190c, for Stitching Rings into Golf Bags, for 45K67 and 45K70 Machines
91565	—	Feed Rock Shaft 91163 with 98674 ...
91576	1101	Feed Dog for General Work
91582	1107	Presser Bar (flat) with 91169 for 45K67 and 45K70 Machines
91583	1104	Presser Bar (flat) Locking Plate for 45K67 and 45K70 Machines
91587	1098	Presser Bar Gripping Bracket Grip Lever Hinge Pin for 91747
91595	1107	Presser Bar (flat) Lower Guide Bracket with 1571 and 91169 for 45K67 and 45K70 Machines
91596	1100	Presser Foot (plain) with two toes serrated for 45K67 and 45K70 Machines ...
91601	1101	Throat Plate for 91576 for General Work ...
91603	—	Guide Holder Bracket for 91612
91604	—	Guide Holder Hinge Lever for 91612
91611	—	Guide Holder for 91612
91612	1101	Guide Holder (Swing), complete, Nos. 946f, 91217, 91603, 91604 and 91611 ...
91644	1100	Face Plate Thread Retainer Spring for 94892
91696	1100	Presser Bar Lifting Bracket Plate for 94898 and 94911
91715	881	Presser Bar Spring (flat) for 45K67, 45K70 Machines with Foot Lifter
91716	—	Foot Lifter Arm Lever for 91456
91739	—	Lifting Presser Plunger for 91740
91740	1096	Lifting Presser Plunger, complete, Nos. RR54, SS323f and 91739 for 45K67 and 45K70 Machines
91742	1098	Presser Bar Gripping Bracket for 91747 ...
91743	1098	Presser Bar Gripping Bracket Block for 91747
91744	1104	Presser Bar Gripping Bracket Block Retaining Pin for 91747

No.	Plate	
91745	1098	Presser Bar Gripping Bracket Grip Lever for 91747
91746	997	Presser Bar Gripping Bracket Grip Retaining Spring for 45K67 and 45K70 Machines ...
91747	--	Presser Bar Gripping Bracket, complete, Nos. 430al, 1520r, 91587 and 91742 to 91745, for 45K67 and 45K70 Machines ...
91748	999	Shuttle Driver and Feed Raising Cam (Obsolete)
91749	1110	Balance Wheel (three-speeds) with two 434c
*91754	—	Arm with 446c, 82499 and 82549, for 45K67 Machine
91755	1110	Arm Shaft
91763	1105	Needle Bar for 45K67 and 45K70 Machines
91764	997	Needle Bar Cam with SS202d and two 704e
91767	997	Presser Bar Lifting Bracket with SS422c and 1259c for 45K66 Machine
91769	2621	Presser Bar Lifting Cam for 94850
91771	999	Shuttle Cylinder for 91774 (Obsolete)
91772	999	Shuttle Frame for 91774... (Obsolete)
91781	997	Face Plate Thread Guard for 94874, 94893 and 94903
91782	1096	Face Plate Thread Retaining Spring for 94874, 94893 and 94903
91783	1096	Face Plate Thread Retaining Spring Plate for 94874, 94893 and 94903
91784	1096	Face Plate Thread Retaining Spring Position Pin for 94874, 94893 and 94903
91787	999	Thread Take-up Lever (Auxiliary) for 91789
91788	1098	Thread Take-up Lever (Auxiliary) Thread Eyelet for 91789
91789	—	Thread Take-up Lever (Auxiliary), complete, Nos. 1247f, 91787, 91788 and 92814
91795	999	Shuttle Tension Spring for 91774 (Obsolete)
91796	—	Oil Box for 91797
91797	1109	Oil Box, complete, Nos. SS42f, SS50f, 219f, 80106, 82459, 82460, 82463, 91796 and two 82462 for 45K67 Machine
92814	999	Thread Take-up Lever (Auxiliary) Thread Eyelet Roller for 91789
92814	999	Thread Take-up Lever Roller for 91507 and 94889
94801	1107	Crank Connecting Rod with 94802, 94872 and two 158e
*94802	—	Crank Connecting Rod Cap for 94801
94809	1105	Presser Bar (round) for 45K67 and 45K70 Machines

No.	Plate	
94849	2621	Thread Take-up Cam with SS320c and SS370c for 94850
94850	2621	Thread Take-up Cam, 94849 with 91769 and two 704c for 45K67 and 45K70 Machines
94852	2621	Thread Take-up Cam with SS320c and SS370c for 45K66 Machine
*94870	---	Arm with 446c, 82499 and 82549 for 45K66 Machine
*94871	--	Bed for 45K66 Machine
94872	1742	Crank Connecting Rod Cap Oil Pad for 94801
94873	1106	Face Plate for 94874
94874	--	Face Plate, complete, Nos. SS50f, 52c, 201d, 207f, SS429c, 1323f, 82450, 91357, 91366, 91781 to 91784 and 94873, for 94982
94875	1108	Face Plate Swing Cover for 94878
94876	1098	Face Plate Swing Cover Hinge Block (Steel) for 94878
94877	1098	Face Plate Swing Cover Hinge Block Pin for 94878 and 94906
94878	---	Face Plate Swing Cover, complete, Nos. SS65d, 219f, 80106, 82216, 82462 and 94875 to 94877 for 94982
94880	1110	Hot Wax Pot for 94886
94881	1107	Hot Wax Pot Bobbin Trough with two 193f for 94886
94882	1104	Hot Wax Pot Tension Thread Guide for 94886
94883	1108	Hot Wax Pot Thread Guide Bracket for 94884
94884	---	Hot Wax Pot Thread Guide Bracket, complete, Nos. 94883, three each 52c and 91357, for 94886
94885	1104	Hot Wax Thread Releasing Lever for 94886
94886	---	Hot Wax Pot, complete, Nos. 90c, SS308c, 704c, 2103, 33929, 82462, 91529, 94880 to 94882, 94884, 94885, two each 793d and 89363, for 94982 and 94985
94888	---	Thread Take-up Lever for 94889
94889	1099	Thread Take-up Lever, complete, Nos. RR24, SS328e, 1519e, 92814 and 94888 for 45K66 Machine
94890	---	Work Plate for 45K66 and 45K67 Machines
94891	1106	Face Plate for 94893
94892	---	Face Plate Thread Retainer, complete, Nos. 33892, 91644 and two 89363, for 94893
94893	---	Face Plate, complete, Nos. SS50f, 201d, 1323f, 82450, 91781 to 91784, 94891 and 94892, for 45K67 Machine

No.	Plate	
94894	---	Shuttle Race Cover, complete, Nos. 180f, and 94913 to 94917, for 45K70 Machine
94895	1099	Presser Bar Lifter for 45K67 and 45K70 Machines
94896	1103	Presser Bar Lifting Bracket with two 1259c for 94898 and 94911
94897	1100	Presser Bar Lifting Bracket Tension Release for 94898
94898	---	Presser Bar Lifting Bracket 94896 with 91696, 94897 and four 190f, for 45K67 Machine
94899	1100	Presser Foot with two plain toes for Rubber Heel work for 45K67 and 45K70 Machines
*94900	---	Arm with 446c, 82499 and 82549 for 45K70 Machine
*94901	---	Bed for 45K70 Machine
94902	1106	Face Plate for 94903
94903	---	Face Plate, complete, Nos. SS50f, 52c, 201d, 207f, SS429c, 1323f, 82450, 91357, 91366, 91781 to 91784 and 94902, for 94985
94904	1108	Face Plate Swing Cover for 94906
94905	1103	Face Plate Swing Cover Retaining Spring for 94906
94906	---	Face Plate Swing Cover, complete, Nos. SS65d, 161e, 8800, 82216, 94877, 94904, 94905 and 94942, for 94985
94911	---	Presser Bar Lifting Bracket 94896 with 91696 and two 190f for 45K70 Machine
94912	1103	Shuttle Race (Cast Iron) for 45K70 Machine
94913	1108	Shuttle Race Cover for 94894
94914	1104	Shuttle Race Cover Hinge for 94894
94915	1098	Shuttle Race Cover Hinge Pin for 94894
94916	1104	Shuttle Race Cover Spring for 94894
94917	1098	Shuttle Race Cover Spring Position Pin for 94894
94918	1098	Shuttle Race Spring for 45K70 Machine
94919	---	Work Plate for 45K70 Machine
94942	1098	Face Plate Swing Cover Hinge Block (Steel for 94906
94972	---	Oscillating Rock Shaft Steel Plate (top) for 91440, 98617 and 98630 (Obsolete)
94979	---	Heating Tube 94992 with 91532, 91533h, two 91363 and six 180f for 94982
94981	---	Heating Tube, 94995 with two each 180f and 91363 for 94985

No.	Plate	
94982	---	Hot Wax Fittings, complete, Nos. SS39d, 94874, 94878, 94886 and 94979 for 45K66 Machine
94985	---	Hot Wax Fittings, complete, Nos. SS39d, 94886, 94903, 94906 and 94981 for 45K70 Machine
94992	2623	Heating Tube for 94979
94995	2623	Heating Tube for 94981
95080	---	Shuttle Cylinder for 95084 (Obsolete)
95081	---	Shuttle Latch Spring for 95084 (Obsolete)
95082	---	Shuttle Frame for 95084... (Obsolete)
95083	---	Shuttle Tension Spring for 95084 (Obsolete)
95093	1694	Shuttle Bobbin for 95084, 95096 and 98622
95094	1694	Shuttle Cylinder for 95096 and 98622
95095	1694	Shuttle Tension Spring for 95096 and 98622
95096	---	Shuttle Cylinder 2½" diam., complete, Nos. SS377f, SS574d, 91042, 91043, 95093 to 95095 and 95186 ... (Obsolete)
95186	---	Shuttle Frame for 95096... (Obsolete)
95197	1487	Bobbin Winder Stop Latch for 95198
95198	---	Bobbin Winder Nos. 36d, 1620j, 27302, 27303, 27540, 27541, 50356b, 95197, 98673 and two wood screws No. 7 R.H. for 95199
95199	---	Bobbin Winder (Swinging Automatic, Right Hand), complete, Nos. 27308 and 95198 for 95093
98612	1742	Shuttle Driver and Feed Raising Cam
98613	1700	Crank Connecting Rod Hinge Stud for 98618 (Obsolete)
98614	1742	Crank Connecting Rod Hinge Stud Cotter Pin for 98641
98617	1700	Oscillating Rock Shaft with 91025, 94972 and two 91026 ... (Obsolete)
98618	---	Oscillating Rock Shaft, complete, Nos. 1668c, 98613, 98614 and 98617 (Obsolete)
98619	1694	Shuttle Frame for 98622
98622	1694	Shuttle (Cylinder) 2½" diam., complete, Nos. SS377f, SS574d, 91042, 91043, 95093 to 95095 and 98619
98626	755	Foot Lifter Foot Lever Spring for 91454
98627	1742	Crank Connecting Rod Hinge Stud for 98611
98630	---	Oscillating Rock Shaft with 91025, 94972 and two 91026 for 98631 (Obsolete)
98631	---	Oscillating Rock Shaft, complete, Nos. 1668c, 98614, 98627 and 98630 (Obsolete)

 From the library of: www.needsparts.com

No.	Plate	
98636	2001	Oscillating Rock Shaft Steel Plate (Bottom) for 98639
98637	2001	Oscillating Rock Shaft Steel Plate (Top) for 98639
98639	2001	Oscillating Rock Shaft with 98636, 98637, two each SS537e and 1698c for 98641 ...
98641	---	Oscillating Rock Shaft, complete. Nos. 1668c, 98614, 98627 and 98639 ...
98642	1112	Oscillating Rock Shaft Hinge Pin ...
98673	1487	Bobbin Winder Spindle for 95198 ...
98674	997	Feed Rock Shaft Crank with 156f and SS517c. for 91565

No.	Plate	
120342	1600	Oiler (Accessories)
120378	---	Screw Driver (Small) ... (Accessories)